



LED Wall Mount

BWS150 LED200/NW PSU 220-240V 7043

LED Low Power – Power supply unit

People want to create a pleasant atmosphere around their property – something that will catch visitors’ attention, make them feel good and want to come back again. They would like to be able to create an appealing ambience at minimum cost, though without compromising on the quality of the lighting. Combining a simple round design with reliable lighting performance, this low-cost white-light LED wall fixture with opal diffuser delivers a soft light effect with attractive uniformity.

Product data

General Information	
Number of light sources	96 [96 pcs]
Lamp family code	LED-LP [LED Low Power]
Light source colour	740 neutral white
Light source replaceable	No
Number of gear units	1 unit
Driver/power unit/transformer	PSU [Power supply unit]
Driver included	Yes
Optical cover/lens type	PC-UV [Polycarbonate bowl/cover UV-resistant]
Control interface	-
Connection	Screw connection block
Cable	Cable without plug 2-pole
Protection class IEC	Safety class II (II)
Flammability mark	F [For mounting on normally flammable surfaces]
CE mark	CE mark
Warranty period	1 years
RAL colour	Traffic gray B (7043)
Constant light output	No
Number of products on MCB	1

LED engine type	LED
Operating and Electrical	
Input voltage	220 to 240 V
Input frequency	50 to 60 Hz
Power factor (min.)	0.4
Controls and Dimming	
Dimmable	No
Mechanical and Housing	
Housing material	Polycarbonate
Optical cover/lens material	Polycarbonate
Mounting device	Allen screw fixation
Optical cover/lens finish	Matte
Overall height	62 mm
Overall diameter	200 mm
Colour	Dark gray

LED Wall Mount

Approval and Application

Ingress protection code	IP65 [Dust penetration-protected, jet-proof]
Mech. impact protection code	IK08 [5 J vandal-protected]

Initial Performance (IEC Compliant)

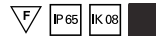
Initial luminous flux	250 lm
Luminous flux tolerance	+/-10%
Initial LED luminaire efficacy	43.10 lm/W
Init. Corr. Colour Temperature	4000 K
Init. colour rendering index	>70
Initial input power	5.8 W
Power consumption tolerance	+/-10%

Application Conditions

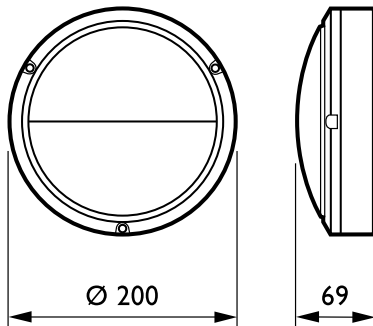
Ambient temperature range	-20 to +40 °C
---------------------------	---------------

Product Data

Full product code	692382863161199
Order product name	BWS150 LED200/NW PSU 220-240V 7043
EAN/UPC – product	6923828631611
Order code	63161199
Numerator – quantity per pack	1
Numerator – packs per outer box	24
Material no. (12NC)	911401193880
Net weight (piece)	0.730 kg



Dimensional drawing



BWS150 LED Wall mount

