



GreenPerformance Troffer

SM100C LED37S 865 W60L60 PSU G3

Variable linear-lens array in polycarbonate cover

GreenPerform Troffer improves the compact design of the last generation with performance improvement and more variants for different markets. Integrates with all available systems: POE, InterAct office wireless, InterAct Office Pro, ActiLume controller. GreenPerform Troffer offers additional energy saving and connected features.

Product data

General Information		Operating and Electrical	
Light source colour	865 cool daylight	Input voltage	220 to 240 V
Light source replaceable	No	Input frequency	50 to 60 Hz
Number of gear units	1 unit	Inrush current	3 A
Driver included	Yes	Inrush time	62 ms
Optical cover/lens type	VAR-PC [Variable linear-lens array in polycarbonate cover]	Power factor (min.)	0.9
Control interface	-	Controls and Dimming	
Protection class IEC	Safety class I (I)	Dimmable	No
Glow-wire test	60030 [Temperature 600 °C, duration 30 s]	Mechanical and Housing	
Flammability mark	F [For mounting on normally flammable surfaces]	Housing material	Metal
CE mark	CE mark	Optic material	Polycarbonate
Warranty period	3 years	Optical cover/lens material	Polycarbonate
Constant light output	No	Fixation material	Steel
Number of products on MCB	24	Optical cover/lens finish	Ribbed
LED engine type	LED	Overall length	597 mm

GreenPerformance Troffer

Overall width	597 mm
Overall height	56 mm
Colour	White

Approval and Application

Ingress protection code	IP20 [Finger-protected]
Mech. impact protection code	IK03 [0.3 J]

Initial Performance (IEC Compliant)

Initial luminous flux	3700 lm
Luminous flux tolerance	+/-10%
Initial LED luminaire efficacy	116 lm/W
Init. Corr. Colour Temperature	6500 K
Init. colour rendering index	80
Initial chromaticity	SDCM<4
Initial input power	32 W
Power consumption tolerance	+/-10%

Over Time Performance (IEC Compliant)

Median useful life L70B50	50000 h
---------------------------	---------

Application Conditions

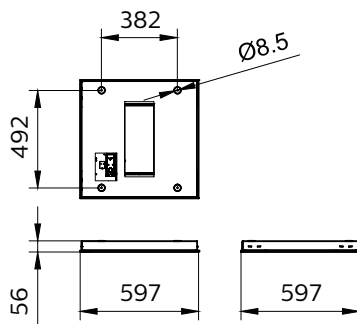
Ambient temperature range	-20 to +40 °C
Suitable for random switching	No

Product Data

Full product code	911401510351
Order product name	SM100C LED375 865 W60L60 PSU G3
Order code	01510351
Numerator – quantity per pack	1
Numerator – packs per outer box	2
Material no. (12NC)	911401510351
Net weight (piece)	5.300 kg



Dimensional drawing



RC100B GreenPerform Troffer

