



# GreenPerform Highbay G3

## BY698P LED110 CW PSD NB

865 cool daylight - Power supply unit with DALI interface - Narrow beam

Following the successful introduction of the GreenPerform Highbay G2 in 2013, while continue providing the superior light quality, long service lifetime, reduced energy consumption and less maintenance in the switch on-off (PSU) and Dali dimmable (PSD) versions, the new generation Highbay seamlessly integrates state-of-the-art LED lighting with an easy-to-use and reliable wireless ZIGBEE control solution (ACW) and simple movement detection solution (PIR). ;In the ACW version products, when the situation on the work floor changes, settings such as dimming levels and timing can be changed wirelessly by the end-users themselves. Luminaires can be combined in groups across the layout, and re-zoning them does not require a hardware change, thus minimising commissioning costs. The system delivers savings over and above the actual efficiency of the LEDs and is future-proof.;In the PIR version products, when there has no movement detected after 15 minutes, the lighting will dimming down to 25% of the lumen output, which helps to maximum your energy saving in a simple way. ;Easy to understand, easy to design-in, and easy to use, GreenPerform Highbay G3 is a smart way to light up your business.

### Product data

General Information			
Lamp colour code	865 cool daylight	Optic type	NB [ Narrow beam]
Light source replaceable	No	Optical cover/lens type	PC [ Polycarbonate bowl/cover]
Number of gear units	1 unit	Luminaire light beam spread	60°
Driver/power unit/transformer	PSD [ Power supply unit with DALI interface]	Control interface	DALI
Driver included	Yes	Connection	Flying leads/wires
		Cable	Cable 3.0 m without plug (C3K)

# GreenPerform Highbay G3

Protection class IEC	Safety class I (I)
Glow-wire test	650/5 [ Temperature 650 °C, duration 5 s]
Flammability mark	F [ For mounting on normally flammable surfaces]
CE mark	CE mark
Warranty period	3 years
Constant light output	No
Number of products on MCB	11
LED engine type	LED

## Operating and Electrical

Input voltage	220 to 240 V
Input frequency	50 to 60 Hz
Inrush current	46 A
Inrush time	0.25 ms
Power factor (min.)	0.95

## Controls and Dimming

Dimmable	Yes
----------	-----

## Mechanical and Housing

Housing material	Aluminum die-cast
Optic material	Polycarbonate
Optical cover/lens material	Polycarbonate
Optical cover/lens finish	Clear
Overall height	96 mm
Overall diameter	379 mm
Colour	Dark Grey

## Approval and Application

Ingress protection code	IP65 [ Dust penetration-protected, jet-proof]
Mech. impact protection code	IK07 [ 2 J reinforced]

## Initial Performance (IEC Compliant)

Initial luminous flux	10000 lm
Luminous flux tolerance	+/-10%
Initial LED luminaire efficacy	118 lm/W
Lamp colour temperature	6500 K
Colour Rendering Index	>80
Initial chromaticity	(0.313.0.324)SDCM<5
Initial input power	85 W
Power consumption tolerance	+/-10%

## Over Time Performance (IEC Compliant)

Median useful life L70B50	50000 h
Median useful life L80B50	40000 h
Median useful life L90B50	30000 h

## Application Conditions

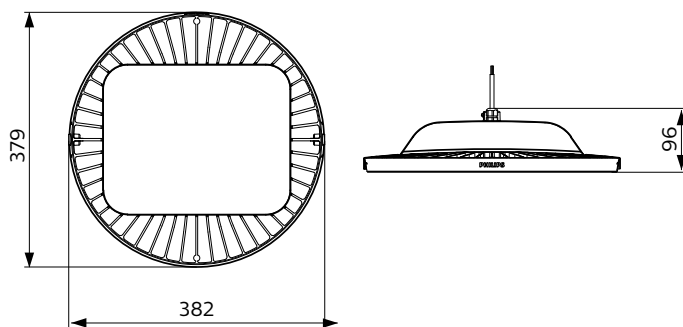
Ambient temperature range	-30 to +50 °C
Maximum dimming level	10%
Suitable for random switching	No

## Product Data

Full product code	91140151231
Order product name	BY698P LED110 CW PSD NB
Order code	91140151231
Numerator – quantity per pack	1
Numerator – packs per outer box	1
Material no. (12NC)	91140151231
Net weight (piece)	3.300 kg



## Dimensional drawing



BY698P GreenPerform High-bay gen3

## GreenPerform Highbay G3

