



# Downlight DN060B

## DN060B LED8S/830 PSU WH

Downlight DN060B, 9 W, 800 lm, 3000 K, Opal

The LEDINAIRE range contains a selection of popular off-the-shelf LED luminaires that come with the high Philips quality levels at a competitive price. Reliable, energy-efficient and affordable – just what you need.

### Product data

General Information	
Light source replaceable	No
Gear	-
Lighting Technology	LED
Value ladder	Value
Warranty period	3 years
Light Technical	
Luminous Flux	800 lm
Correlated Color Temperature (Nom)	3000 K
Luminous Efficacy (rated) (Nom)	89 lm/W
Color rendering index (CRI)	>80
Light source color	830 warm white
Luminaire light beam spread	10°
Operating and Electrical	
Input Voltage	220 to 240 V
Line Frequency	50 or 60 Hz
Input Frequency	50 or 60 Hz
Power Consumption	9 W
Power Factor (Fraction)	0.9

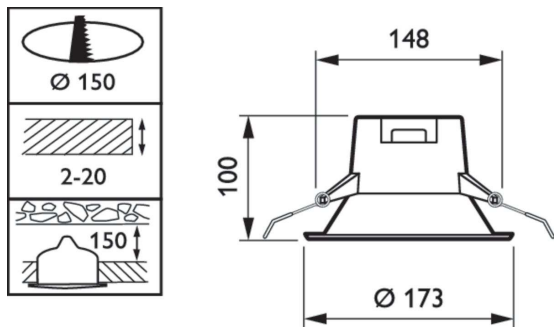
Connection	Push-in connector 2-pole
Temperature	
Ambient temperature range	0 to +35 °C
Controls and Dimming	
Dimmable	No
Driver/power unit/transformer	Power supply unit (On/Off)
Mechanical and Housing	
Housing Material	Plastic
Reflector material	Steel
Optic material	Polycarbonate
Fixation material	Stainless steel
Housing Color	White
Optical cover finish	Opal
Overall length	225 mm
Overall width	225 mm
Overall height	100 mm
Overall diameter	173 mm

# Downlight DN060B

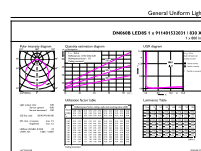
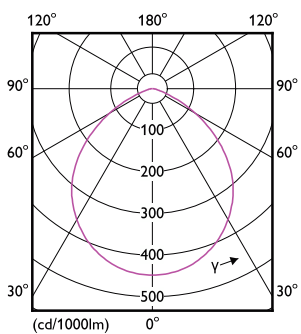
Dimensions (Height x Width x Depth)	100 x 225 x 225 mm
<b>Approval and Application</b>	
Ingress protection code	IP20 [Finger-protected]
Mech. impact protection code	IK02 [0.2 J standard]
Protection class IEC	Safety class I
<b>Initial Performance (IEC Compliant)</b>	
Initial chromaticity	(0.43, 0.40) SDCM <5
Power consumption tolerance	+/-10%
<b>Over Time Performance (IEC Compliant)</b>	
Control gear failure rate at median useful life 50000 h	7.5 %
Lumen maintenance at median useful life* 50000 h	L65

<b>Application Conditions</b>	
Performance ambient temperature Tq	25 °C
<b>Product Data</b>	
Order product name	DN060B LED8S/830 PSU WH
Full product name	DN060B LED8S/830 PSU WH
Full product code	871016330662999
Order code	30662999
Material Nr. (12NC)	911401532031
Numerator - Quantity Per Pack	1
EAN/UPC - Product/Case	8710163306629
Numerator - Packs per outer box	12
EAN/UPC - Case	8710163306902

## Dimensional drawing



## Photometric data



Light Distribution Diagram - DN060B LED8S/830 PSU WH

General uniform lighting - DN060B LED8S/830 PSU WH

## Downlight DN060B

