



# LuxSpace G4

## DN591B LED20/940 PSD C D125 WH MB GC

### Reflector

LuxSpace Gen4 is the a new LED downlight range combining light comfort and leading performance with luxury looking

### Product data

| General Information                      |   |
|--|---|
| Light source color                       | 940 neutral white   |
| Light source replaceable                 | No  |
| Number of gear units                     | 1 unit  |
| Driver/power unit/transformer            | Power supply unit external  |
| Driver included                          | Yes   |
| Optic type                               | Facetted reflector with beam angle 30°  |
| Optical cover/lens type                  | Reflector   |
| Control interface                        | DALI  |
| Connection                               | Plug-in connector 3-pole Wieland/Adels compatible and 2x 2-pole control signal for light regulation |
| Protection class IEC                     | Safety class I  |
| Glow-wire test                           | Temperature 650 °C, duration 30 s   |
| Flammability mark                        | For mounting on normally flammable surfaces   |
| CE mark                                  | CE mark   |
| Warranty period                          | 3 years   |
| Constant light output                    | No  |
| Number of products on MCB of 16 A type B | 24  |
| EU RoHS compliant                        | Yes   |
| Light source engine type                 | LED   |

| Operating and Electrical |              |
|--------------------------|--------------|
| Input Voltage            | 220 to 240 V |
| Input Frequency          | 50 or 60 Hz  |
| Inrush current           | 20.4 A       |
| Inrush time              | 0.195 ms     |
| Power Factor (Min)       | 0.9          |

| Controls and Dimming |     |
|----------------------|-----|
| Dimmable             | Yes |

| Mechanical and Housing      |                               |
|-----------------------------|-------------------------------|
| Housing Material            | Aluminum die cast             |
| Reflector material          | Polycarbonate aluminum coated |
| Optic material              | Polycarbonate                 |
| Optical cover/lens material | Polycarbonate                 |
| Fixation material           | Steel                         |
| Optical cover/lens finish   | Textured                      |
| Overall length              | 0 mm                          |
| Overall width               | 0 mm                          |
| Overall height              | 90 mm                         |
| Overall diameter            | 137 mm                        |

## LuxSpace G4

|       |                 |
|-------|-----------------|
| Color | White and black |
|-------|-----------------|

### Approval and Application

|                              |                          |
|------------------------------|--------------------------|
| Ingress protection code      | IP20 [ Finger-protected] |
| Mech. impact protection code | IK03 [ 0.3 J]            |

### Initial Performance (IEC Compliant)

|                                     |         |
|-------------------------------------|---------|
| Initial luminous flux (system flux) | 1800 lm |
| Luminous flux tolerance             | +/-10%  |
| Initial LED luminaire efficacy      | 93 lm/W |
| Init. Corr. Color Temperature       | 4000 K  |
| Init. Color Rendering Index         | >90     |
| Initial input power                 | 19.3 W  |
| Power consumption tolerance         | +/-10%  |

### Over Time Performance (IEC Compliant)

|                           |         |
|---------------------------|---------|
| Median useful life L70B50 | 50000 h |
| Median useful life L80B50 | 50000 h |

|                           |         |
|---------------------------|---------|
| Median useful life L90B50 | 21000 h |
|---------------------------|---------|

### Application Conditions

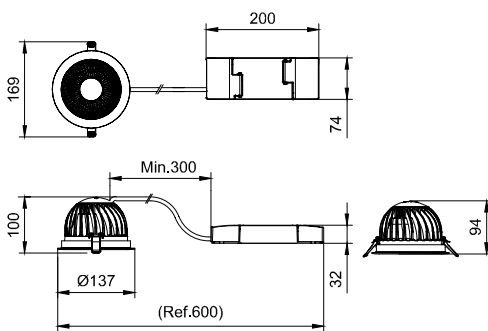
|                           |               |
|---------------------------|---------------|
| Ambient temperature range | -20 to +40 °C |
| Maximum dim level         | 1%            |

### Product Data

|                                 |                                      |
|---------------------------------|--------------------------------------|
| Full product code               | 911401542441                         |
| Order product name              | DN591B LED20/940 PSD C D125 WH MB GC |
| Order code                      | 911401542441                         |
| Numerator - Quantity Per Pack   | 1                                    |
| Numerator - Packs per outer box | 1                                    |
| Material Nr. (12NC)             | 911401542441                         |
| Net Weight (Piece)              | 0.500 kg                             |



## Dimensional drawing



DN58XB/DN59XB

