



# LuxSpace G4

DN589B LED10/840 PSU C D150 WH WB WP CAU

## Reflector

LuxSpace Gen4 is the a new LED downlight range combining light comfort and leading performance with luxury looking

### Product data

| General Information                      |   |
|--|---|
| Light source color                       | 840 neutral white                           |
| Light source replaceable                 | No  |
| Number of gear units                     | 1 unit                                      |
| Driver/power unit/transformer            | Power supply unit external                  |
| Driver included                          | Yes   |
| Optic type                               | Facetted reflector with beam angle 60°      |
| Optical cover/lens type                  | Reflector                                   |
| Control interface                        | -   |
| Connection                               | Push-in connector and pull relief           |
| Protection class IEC                     | Safety class II                             |
| Glow-wire test                           | Temperature 650 °C, duration 30 s           |
| Flammability mark                        | For mounting on normally flammable surfaces |
| CE mark                                  | CE mark                                     |
| Warranty period                          | 3 years                                     |
| Constant light output                    | No  |
| Number of products on MCB of 16 A type B | 34  |
| EU RoHS compliant                        | Yes   |
| Light source engine type                 | LED   |

| Operating and Electrical |              |
|--------------------------|--------------|
| Input Voltage            | 220 to 240 V |
| Input Frequency          | 50 or 60 Hz  |
| Inrush current           | 5.2 A        |
| Inrush time              | 0.23 ms      |
| Power Factor (Min)       | 0.9          |

| Controls and Dimming |    |
|----------------------|----|
| Dimmable             | No |

| Mechanical and Housing      |                               |
|-----------------------------|-------------------------------|
| Housing Material            | Aluminum die cast             |
| Reflector material          | Polycarbonate aluminum coated |
| Optic material              | Polycarbonate                 |
| Optical cover/lens material | Polycarbonate                 |
| Fixation material           | Steel                         |
| Optical cover/lens finish   | Textured                      |
| Overall length              | 0 mm                          |
| Overall width               | 0 mm                          |
| Overall height              | 100 mm                        |
| Overall diameter            | 162 mm                        |

# LuxSpace G4

|       |                 |
|-------|-----------------|
| Color | White and black |
|-------|-----------------|

## Approval and Application

|                              |   |
|------------------------------|---|
| Ingress protection code      | IP54/20 [ Dust accumulation protected, splash-proof/finger protected] |
| Mech. impact protection code | IK03 [ 0.3 J]   |

## Initial Performance (IEC Compliant)

|                                     |          |
|-------------------------------------|----------|
| Initial luminous flux (system flux) | 1000 lm  |
| Luminous flux tolerance             | +/-10%   |
| Initial LED luminaire efficacy      | 119 lm/W |
| Init. Corr. Color Temperature       | 4000 K   |
| Init. Color Rendering Index         | >80      |
| Initial input power                 | 8.4 W    |
| Power consumption tolerance         | +/-10%   |

## Over Time Performance (IEC Compliant)

|                           |         |
|---------------------------|---------|
| Median useful life L70B50 | 50000 h |
| Median useful life L80B50 | 50000 h |

|                           |         |
|---------------------------|---------|
| Median useful life L90B50 | 21000 h |
|---------------------------|---------|

## Application Conditions

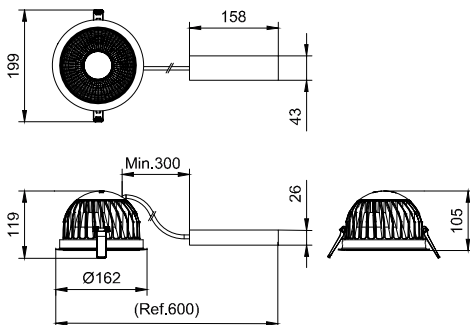
|                           |                |
|---------------------------|----------------|
| Ambient temperature range | -20 to +40 °C  |
| Maximum dim level         | Not applicable |

## Product Data

|                                 |   |
|---------------------------------|---|
| Full product code               | 911401552841                                |
| Order product name              | DN589B LED10/840 PSU C D150 WH WB<br>WP CAU |
| Order code                      | 911401552841                                |
| Numerator - Quantity Per Pack   | 1   |
| Numerator - Packs per outer box | 1   |
| Material Nr. (12NC)             | 911401552841                                |
| Net Weight (Piece)              | 0.799 kg                                    |



## Dimensional drawing



DN58XB/DN59XB

