



Coreline Highbay Gen4

BY120P G4 LED100S/840 SRD NB SNHR200

Coreline Highbay Gen4, 73 W, 10000 lm, 4000 K, Internal (no external connection), Interact Ready, Beam angle 55°, IP20, IK05

CoreLine Highbay Gen4 delivers on the CoreLine promise of innovative, easy-to-use and high-quality luminaires. A reliable, highly efficient luminaire with a very long-lifetime, it delivers great savings on energy and requires less maintenance. At the same time, CoreLine Highbay is very easy to handle. The luminaire can be installed on your existing grid and the electrical connection is a straightforward task, with no need to open the luminaire and an external IP65 connector. With a choice of two beam angles: narrow and wide beam, you can adjust your lighting plan to suit your exact needs. This range also includes Interact Ready luminaires with integrated wireless communications and integrated movement and daylight sensors. So CoreLine Highbay Gen4 is ready to be used with any Interact connected lighting system.

Product data

General Information		Light Technical	
Light source replaceable	No	Flammability mark	-
Number of gear units	Unit	ENEC mark	-
Driver included	Yes	Glow-wire test	Temperature 650 °C, duration 30 s
Light source engine type	LED	EU RoHS compliant	Yes
Connectivity	Interact Ready	Luminous Flux	10,000 lm
Lighting Technology	LED	Correlated Colour Temperature	4000 K
Value ladder	Performance	Luminous efficacy (rated) (nom.)	137 lm/W
CE mark	Yes	Colour rendering index (CRI)	≥80
Warranty period	5 years		

Coreline Highbay Gen4

Light source colour	840 neutral white
Optic type	Beam angle 55°
Optical cover type	Lens
Luminaire light beam spread	55°
Unified Glare Rating (CEN)	21

Operating and Electrical

Input Voltage	220 to 240 V
Line Frequency	50 to 60 Hz
Inrush current	65 A
Inrush time	330 ms
Power Consumption	73 W
Power Factor (Fraction)	0.95
Connection	Push-in connector 3-pole
Cable	Cable 0.3 m with connector 3-pole
Number of products on MCB of 16 A type B	10

Temperature

Ambient temperature range	-30 to +45 °C
---------------------------	---------------

Controls and Dimming

Dimmable	Yes
Driver/power unit/transformer	Power supply unit with SystemReady interface, Interact-ready
Control interface	Internal (no external connection)
Constant light output	No

Mechanical and Housing

Housing material	Aluminium
Reflector material	Polycarbonate
Optic material	Polycarbonate
Optical cover/lens material	Polycarbonate
Fixation material	Aluminium
Housing Colour	Grey
Optical cover/lens finish	Frosted
Overall length	385 mm
Overall width	385 mm
Overall height	460 mm

Dimensions (height x width x depth)	460 x 385 x 385 mm
-------------------------------------	--------------------

Approval and Application

Ingress protection code	IP20 [Finger-protected]
Mech. impact protection code	IK05 [0.7 J]
Protection class IEC	Safety class I

Initial Performance (IEC Compliant)

Luminous flux tolerance	+/-10%
Initial chromaticity	(0.381,0.378)SDCM<=5
Power consumption tolerance	+/-10%

Over Time Performance (IEC Compliant)

Control gear failure rate at median useful life 50,000 h	5 %
Lumen maintenance at median useful life* 50,000 h	L80

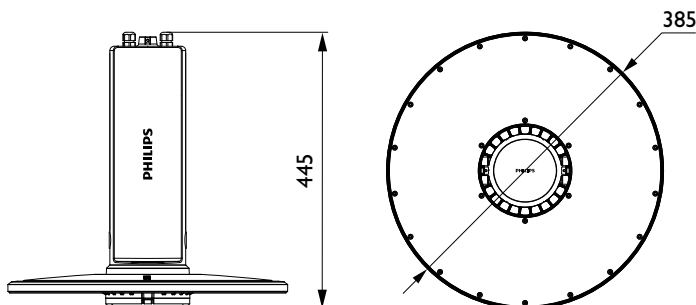
Application Conditions

Performance ambient temperature Tq	35 °C
Maximum dim level	10%
Suitable for random switching	Yes

Product Data

Order product name	BY120P G4 LED100S/840 SRD NB SNHR200
Full product name	BY120P G4 LED100S/840 SRD NB SNHR200
Full EOC	871016336391200
Order code	36391200
Material no. (12 NC)	911401579661
SAP numerator – quantity per pack	1
EAN/UPC – Product/Case	8710163363912
Numerator – packs per outer box	1
EAN/UPC - Case	8710163363912

Dimensional drawing



Coreline Highbay Gen4

