



Ledinaire High-bay

BY021P LED200S/840 PSU WB GR

Power supply unit - Wide beam - 100°

The Ledinaire range contains a selection of popular off-the-shelf LED luminaires, each of which come with the high Philips' quality levels and competitive price. Reliable, energy-efficient and affordable – just what you need.

Product data

General Information	
Beam angle of light source	100 °
Light source colour	840 neutral white
Light source replaceable	No
Number of gear units	1 unit
Driver/power unit/transformer	PSU [Power supply unit]
Driver included	Yes
Optic type	WB [Wide beam]
Luminaire light beam spread	100°
Control interface	-
Connection	Connection unit 3-pole
Cable	Cable 0.3 m with connector 3-pole
Protection class IEC	Safety class I
Glow-wire test	Temperature 650 °C, duration 30 s
Flammability mark	NO [-]
CE mark	CE mark
ENEC mark	-
Warranty period	5 years
Constant light output	No
Number of products on MCB	12

Unified glare rating CEN	>28
Operating and Electrical	
Input voltage	220 to 240 V
Input frequency	50 to 60 Hz
Initial CLO power consumption	- W
Average CLO power consumption	- W
Inrush current	10.8 A
Inrush time	0.15 ms
Power factor (min.)	0.95

Controls and Dimming	
Dimmable	No

Mechanical and Housing	
Housing material	Aluminium
Reflector material	Aluminium
Optic material	Polycarbonate
Optical cover/lens material	Polycarbonate
Fixation material	-
Optical cover/lens finish	Frosted

Ledinaire High-bay

Overall height	60 mm
Overall diameter	344 mm
Colour	Dark Grey
Dimensions (height x width x depth)	60 x NaN x NaN mm (2.4 x NaN x NaN in)

Approval and Application

Ingress protection code	IP65 [Dust penetration-protected, jet-proof]
Mech. impact protection code	IK06 [1 J]

Initial Performance (IEC Compliant)

Initial luminous flux	20000 lm
Luminous flux tolerance	+/-10%
Initial LED luminaire efficacy	105 lm/W
Init. Corr. colour temperature	4000 K
Init. colour rendering index	>80
Initial chromaticity	(0.38, 0.38) SDCM <5
Initial input power	190 W
Power consumption tolerance	+/-10%

Over Time Performance (IEC Compliant)

Control gear failure rate at median useful life 50,000 h	7.5 %
--	-------

Lumen maintenance at median useful life* L65	50,000 h
--	----------

Application Conditions

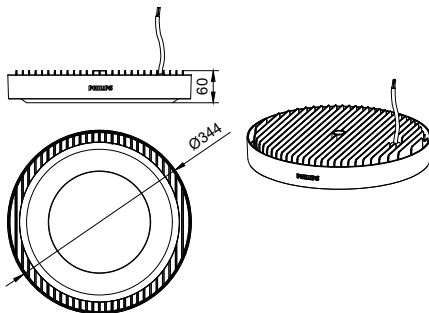
Ambient temperature range	-20 to +45 °C
Performance ambient temperature Tq	25 °C
Maximum dimming level	Not applicable
Suitable for random switching	Yes

Product Data

Full product code	871016333998699
Order product name	BY021P LED200S/840 PSU WB GR
EAN/UPC – product	8710163339986
Order code	33998699
Numerator – quantity per pack	1
Numerator – packs per outer box	4
Material no. (12NC)	911401599751
Net weight (piece)	3.500 kg



Dimensional drawing



Ledinaire Highbay

