



# Tango G3 - BVP38x

## BVP381 LED91/NW 70W 220-240V SWB ANZ

-

The energy-saving Philips Tango G3 LED Floodlight is the ideal solution for a wide range of Area lighting applications. It incorporates the LED light source, optical system, heat sink and driver into one compact and robust housing that meets globally recognised safety standards. Its specially designed heat sink incorporates aesthetics and functionality to ensure excellent reliability. Powered by LED technology, this luminaire delivers superior performance and a longer lifetime, bringing area lighting to a whole new level.

### Product data

General Information		Light Technical	
Lamp family code	-	Constant light output	No
Lamp colour code	Neutral white	Number of products on MCB	6
Light source replaceable	Yes	LED engine type	LED
Number of gear units	-	<b>Operating and Electrical</b>	
Driver/power unit/transformer	PSU [ Power supply unit]	Input voltage	220-240 V
Driver included	Yes	Input frequency	50 or 60 Hz
Optical cover/lens type	PC-MLO [ Polycarbonate micro lens optic]	Initial CLO power consumption	- W
Luminaire light beam spread	85° x 85°	Average CLO power consumption	- W
Control interface	-	End CLO power consumption	- W
Connection	Flying leads/wires	Inrush current	46 A
Cable	Cable 1.5 m without plug (CIK5)	Inrush time	0.44 ms
Protection class IEC	Safety class I (I)	Power factor (min.)	0.95
Flammability mark	NO [ -]		
CE mark	-		
ENEC mark	-		
Warranty period	3 years		
Outdoor optic type	Symmetrical wide beam		

# Tango G3 - BVP38x

## Controls and Dimming

Dimmable	No
----------	----

## Mechanical and Housing

Housing material	Aluminum die-cast
Reflector material	-
Optic material	Polycarbonate
Optical cover/lens material	Polycarbonate
Fixation material	Steel
Mounting device	MBA [ Mounting bracket adjustable]
Optical cover/lens shape	-
Optical cover/lens finish	Frosted
Overall length	500 mm
Overall width	84 mm
Overall height	349 mm
Effective projected area	0.12 m <sup>2</sup>
Colour	Aluminium and Grey

## Approval and Application

Ingress protection code	IP66 [ Dust penetration-protected, jet-proof]
Mech. impact protection code	IK08 [ 5 J vandal-protected]
Surge protection (common/differential)	Luminaire surge protection level up to 15 kV differential mode and 15 kV common mode

## Initial Performance (IEC Compliant)

Initial luminous flux	9100 lm
-----------------------	---------

Luminous flux tolerance	+/-10%
Initial LED luminaire efficacy	130 lm/W
Lamp colour temperature	4000 K
Colour Rendering Index	70
Initial chromaticity	SDCM<=7
Initial input power	70 W
Power consumption tolerance	+/-10%

## Application Conditions

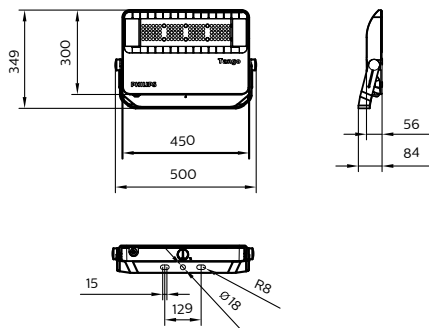
Ambient temperature range	-40 to +50 °C
Maximum dimming level	Not applicable

## Product Data

Full product code	911401611205
Order product name	BVP381 LED91/NW 70W 220-240V SWB ANZ
Order code	911401611205
Numerator – quantity per pack	1
Numerator – packs per outer box	1
Material no. (12NC)	911401611205
Net weight (piece)	5.499 kg



## Dimensional drawing



BVP38x Tango G3

## Tango G3 - BVP38x

