



# Tango G3 - BVP38x

## BVP381 LED91/NW 70W 220-240V SWB ANZ T

The energy-saving Philips Tango G3 LED Floodlight is the ideal solution for a wide range of Area lighting applications. It incorporates the LED light source, optical system, heat sink and driver into one compact and robust housing that meets globally recognised safety standards. Its specially designed heat sink incorporates aesthetics and functionality to ensure excellent reliability. Powered by LED technology, this luminaire delivers superior performance and a longer lifetime, bringing area lighting to a whole new level.

### Product data

General Information	
Lamp family code	-
Lamp colour code	Neutral white
Light source replaceable	Yes
Number of gear units	-
Driver/power unit/transformer	PSU [ Power supply unit]
Driver included	Yes
Optical cover/lens type	PC-MLO [ Polycarbonate micro lens optic]
Luminaire light beam spread	85° x 85°
Control interface	-
Connection	Flying leads/wires
Cable	Cable 1.5 m without plug (C1K5)
Protection class IEC	Safety class I (I)
Flammability mark	NO [ -]
CE mark	-
ENEC mark	-
Warranty period	3 years
Outdoor optic type	Symmetrical wide beam

Constant light output	No
Number of products on MCB	6
LED engine type	LED

Light Technical	
Standard tilt angle post-top	-
Standard tilt angle side entry	-

Operating and Electrical	
Input voltage	220-240 V
Input frequency	50 or 60 Hz
Initial CLO power consumption	- W
Average CLO power consumption	- W
End CLO power consumption	- W
Inrush current	46 A
Inrush time	0.44 ms
Power factor (min.)	0.95

# Tango G3 - BVP38x

## Controls and Dimming

Dimmable	No
----------	----

## Mechanical and Housing

Housing material	Aluminum die-cast
Reflector material	-
Optic material	Polycarbonate
Optical cover/lens material	Polycarbonate
Fixation material	Steel
Mounting device	MBA [ Mounting bracket adjustable]
Optical cover/lens shape	-
Optical cover/lens finish	Frosted
Overall length	500 mm
Overall width	84 mm
Overall height	349 mm
Effective projected area	0.12 m <sup>2</sup>
Colour	Aluminium and Grey

## Approval and Application

Ingress protection code	IP66 [ Dust penetration-protected, jet-proof]
Mech. impact protection code	IK08 [ 5 J vandal-protected]
Surge protection (common/differential)	Luminaire surge protection level up to 15 kV differential mode and 15 kV common mode

## Initial Performance (IEC Compliant)

Initial luminous flux	9100 lm
-----------------------	---------

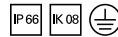
Luminous flux tolerance	+/-10%
Initial LED luminaire efficacy	130 lm/W
Lamp colour temperature	4000 K
Colour Rendering Index	70
Initial chromaticity	SDCM<=7
Initial input power	70 W
Power consumption tolerance	+/-10%

## Application Conditions

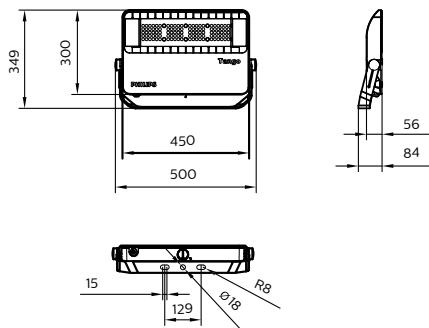
Ambient temperature range	-40 to +50 °C
Maximum dimming level	Not applicable

## Product Data

Full product code	871016332982600
Order product name	BVP381 LED91/NW 70W 220-240V SWB ANZ T
EAN/UPC – product	8710163329826
Order code	911401611305
Local Code	BVP381L70WSWB
Numerator – quantity per pack	1
Numerator – packs per outer box	1
Material no. (12NC)	911401611305
Net weight (piece)	5.499 kg



## Dimensional drawing



BVP38x Tango G3

## Tango G3 - BVP38x

