



UNIdot

BGS301 18xLED-HB-5000 24V D90

The right façade lighting enhances the ambiance of any space and sparks imagination. Philips UNIdot is just one of the latest innovations in LED lighting that lets you create that perfect atmosphere both for the outdoor and the indoor. Dreamy starry nights, and captivating urban landscapes are all made possible with the smart Philips UNIdot LED lighting system. Flexible and modular, UNIdot lights can be affixed on any challenging façade, fulfilling the most creative lighting design brief. Available in dimmable colour options, with light intensity that is easy to adjust, this makes a great replacement for conventional solutions in terms of performance, versatility, light quality and energy savings.

Product data

| General Information | |
|-------------------------------|--|
| Light source colour | Cool white |
| Light source replaceable | No |
| Number of gear units | 1 unit |
| Driver/power unit/transformer | ET [Electronic transformer] |
| Driver included | No |
| Optical cover/lens type | PCF [Polycarbonate bowl/cover frosted] |
| Control interface | - |
| Connection | Flying leads/wires |
| Cable | Cable 0.3 m without plug |
| Protection class IEC | Safety class III (III) |
| Flammability mark | F [For mounting on normally flammable surfaces] |
| CE mark | CE mark |
| ENEC mark | - |
| Warranty period | 3 years |
| Constant light output | No |
| LED engine type | LED |

| Light Technical | |
|--------------------------------|--------------------|
| Standard tilt angle post-top | - |
| Standard tilt angle side entry | - |
| Operating and Electrical | |
| Input voltage | 24 DC V |
| Power factor (min.) | 0.9 |
| Controls and Dimming | |
| Dimmable | No |
| Mechanical and Housing | |
| Housing material | Aluminum die-cast |
| Optic material | Polycarbonate |
| Optical cover/lens material | Polycarbonate |
| Fixation material | Stainless steel |
| Mounting device | No [-] |
| Optical cover/lens shape | Hemispherical flat |

| | |
|---------------------------|----------------|
| Optical cover/lens finish | Frosted |
| Overall height | 51 mm |
| Overall diameter | 90 mm |
| Colour | Gray and white |

Approval and Application

| | |
|------------------------------|---|
| Ingress protection code | IP66 [Dust penetration-protected, jet-proof] |
| Mech. impact protection code | IK07 [2 J reinforced] |

Initial Performance (IEC Compliant)

| | |
|--------------------------------|---------|
| Initial luminous flux | 217 lm |
| Luminous flux tolerance | +/-10% |
| Initial LED luminaire efficacy | 72 lm/W |
| Init. Corr. colour temperature | 5000 K |
| Init. colour rendering index | 70 |
| Initial input power | 3 W |
| Power consumption tolerance | +/-10% |

Application Conditions

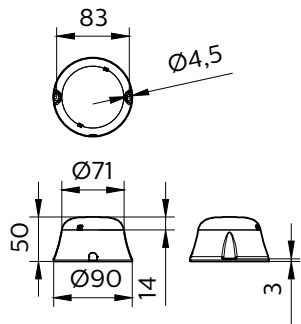
| | |
|---------------------------|----------------|
| Ambient temperature range | -20 to +50 °C |
| Maximum dimming level | Not applicable |

Product Data

| | |
|---------------------------------|-------------------------------|
| Full product code | 911401612403 |
| Order product name | BGS301 18xLED-HB-5000 24V D90 |
| Order code | 01612403 |
| Numerator – quantity per pack | 1 |
| Numerator – packs per outer box | 48 |
| Material no. (12NC) | 911401612403 |
| Net weight (piece) | 0.240 kg |



Dimensional drawing



BGS301/302 UNI Dot

