



Tango G3 - BVP38x

BVP382 LED195/NW 150W 220-240V AMB GM

The energy-saving Philips Tango G3 LED Floodlight is the ideal solution for a wide range of Area lighting applications. It incorporates the LED light source, optical system, heat sink and driver into one compact and robust housing that meets globally recognised safety standards. Its specially designed heat sink incorporates aesthetics and functionality to ensure excellent reliability. Powered by LED technology, this luminaire delivers superior performance and a longer lifetime, bringing area lighting to a whole new level.

Product data

General Information		Light Technical	
Lamp family code	-	Constant light output	No
Lamp colour code	Neutral white	Number of products on MCB	-
Light source replaceable	Yes	RoHS mark	-
Number of gear units	-	LED engine type	LED
Driver/power unit/transformer	PSU [Power supply unit]	Operating and Electrical	
Driver included	Yes	Input voltage	220-240 V
Optical cover/lens type	PC-MLO [Polycarbonate micro lens optic]	Input frequency	50 or 60 Hz
Luminaire light beam spread	40° x 80°	Initial CLO power consumption	- W
Control interface	-	Average CLO power consumption	- W
Connection	Flying leads/wires	End CLO power consumption	- W
Cable	Cable 1.5 m without plug (CIK5)	Power factor (min.)	0.95
Protection class IEC	Safety class I (I)		
Flammability mark	NO [-]		
CE mark	CE mark		
ENEC mark	-		
Warranty period	3 years		
Outdoor optic type	Asymmetrical medium beam		

Tango G3 - BVP38x

Controls and Dimming

Dimmable	No
----------	----

Mechanical and Housing

Housing material	Aluminum die-cast
Reflector material	-
Optic material	Polycarbonate
Optical cover/lens material	Polycarbonate
Fixation material	Steel
Mounting device	MBA [Mounting bracket adjustable]
Optical cover/lens shape	-
Optical cover/lens finish	Frosted
Overall length	500 mm
Overall width	97 mm
Overall height	498 mm
Effective projected area	0.17 m ²
Colour	Aluminium and Grey

Approval and Application

Ingress protection code	IP66 [Dust penetration-protected, jet-proof]
Mech. impact protection code	IK08 [5 J vandal-protected]
Surge protection (common/differential)	Luminaire surge protection level up to 15 kV differential mode and 15 kV common mode

Initial Performance (IEC Compliant)

Initial luminous flux	19500 lm
-----------------------	----------

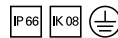
Luminous flux tolerance	+/-10%
Initial LED luminaire efficacy	130 lm/W
Lamp colour temperature	4000 K
Colour Rendering Index	70
Initial chromaticity	SDCM<=7
Initial input power	150 W
Power consumption tolerance	+/-10%

Application Conditions

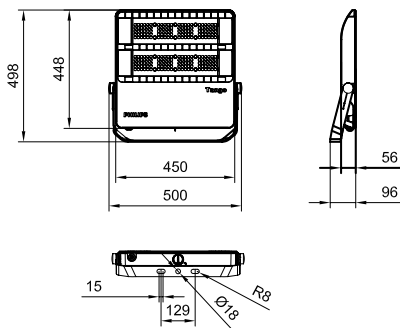
Ambient temperature range	-40 to +50 °C
Maximum dimming level	Not applicable

Product Data

Full product code	911401617305
Order product name	BVP382 LED195/NW 150W 220-240V AMB GM
Order code	01617305
Numerator – quantity per pack	1
Numerator – packs per outer box	1
Material no. (12NC)	911401617305
Net weight (piece)	7.999 kg



Dimensional drawing



BVP38x Tango G3

Tango G3 - BVP38x

