



Essential SmartBright LowBay

BY088P LED20/NW OL

Power supply unit - Wide beam - Polycarbonate bowl/cover - 100°

Philips Essential SmartBright LowBay is a functional lighting by combining cost-efficiency with clean design. It offers customers all the benefits of LED lighting – reduced energy consumption, longer service time and less maintenance. ;Flexible, safe, and reliable, Essential SmartBright LowBay is a perfect LED replacement to conventional CFL LowBay system, allowing you to bright up your supermarkets, retail shops, and sports recreational spaces the smarter way.

Product data

General Information	
Lamp colour code	840 neutral white
Light source replaceable	No
Number of gear units	1 unit
Driver/power unit/transformer	PSU [Power supply unit]
Driver included	Yes
Optic type	WB [Wide beam]
Optical cover/lens type	PC [Polycarbonate bowl/cover]
Luminaire light beam spread	100°
Control interface	-
Connection	Flying leads/wires
Cable	Cable 0.3 m without plug
Protection class IEC	Safety class I (I)
Glow-wire test	650/5 [Temperature 650 °C, duration 5 s]
Flammability mark	F [For mounting on normally flammable surfaces]

CE mark	-
ENEC mark	-
Warranty period	1 years
Constant light output	No
Number of products on MCB	148
LED engine type	LED

Operating and Electrical

Input voltage	220-240 V
Input frequency	50 or 60 Hz
Inrush current	8.2 A
Inrush time	30.8 ms
Power factor (min.)	0.9

Essential SmartBright LowBay

Controls and Dimming

Dimmable	No
----------	----

Mechanical and Housing

Housing material	Aluminium
Reflector material	Aluminium
Optic material	Polycarbonate
Optical cover/lens material	Polycarbonate
Fixation material	-
Optical cover/lens finish	Frosted
Overall height	133 mm
Overall diameter	250 mm
Colour	Grey and Black

Approval and Application

Ingress protection code	IP20 [Finger-protected]
Mech. impact protection code	IK03 [0.3 J]

Initial Performance (IEC Compliant)

Initial luminous flux	1600 lm
Luminous flux tolerance	+/-10%
Initial LED luminaire efficacy	80 lm/W
Lamp colour temperature	4000 K
Colour Rendering Index	≥80

Initial chromaticity	SDCM<5
Initial input power	20 W
Power consumption tolerance	+/-10%

Over Time Performance (IEC Compliant)

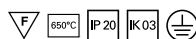
Median useful life L70B50	15000 h
---------------------------	---------

Application Conditions

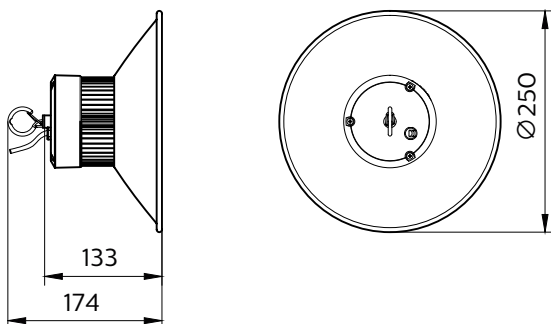
Ambient temperature range	-20 to +40 °C
Suitable for random switching	No

Product Data

Full product code	692382862557300
Order product name	BY088P LED20/NW OL
EAN/UPC – product	6923828625573
Order code	911401669003
Numerator – quantity per pack	1
Numerator – packs per outer box	1
Material no. (12NC)	911401669003
Net weight (piece)	0.709 kg



Dimensional drawing



BY088P SmartBright Lowbay

