



Essential SmartBright LowBay

BY088P LED20/WW OL

Power supply unit - Wide beam - Polycarbonate bowl/cover - 100°

Philips Essential SmartBright LowBay is a functional lighting by combining cost-efficiency with clean design. It offers customers all the benefits of LED lighting – reduced energy consumption, longer service time and less maintenance. ;Flexible, safe, and reliable, Essential SmartBright LowBay is a perfect LED replacement to conventional CFL LowBay system, allowing you to bright up your supermarkets, retail shops, and sports recreational spaces the smarter way.

Product data

| General Information | | Operating and Electrical | |
|-------------------------------|--|---------------------------|-------------|
| Lamp colour code | 830 warm white | CE mark | - |
| Light source replaceable | No | ENEC mark | - |
| Number of gear units | 1 unit | Warranty period | 1 years |
| Driver/power unit/transformer | PSU [Power supply unit] | Constant light output | No |
| Driver included | Yes | Number of products on MCB | 148 |
| Optic type | WB [Wide beam] | LED engine type | LED |
| Optical cover/lens type | PC [Polycarbonate bowl/cover] | Input voltage | 220-240 V |
| Luminaire light beam spread | 100° | Input frequency | 50 or 60 Hz |
| Control interface | - | Inrush current | 8.2 A |
| Connection | Flying leads/wires | Inrush time | 30.8 ms |
| Cable | Cable 0.3 m without plug | Power factor (min.) | 0.9 |
| Protection class IEC | Safety class I (I) | | |
| Glow-wire test | 650/5 [Temperature 650 °C, duration 5 s] | | |
| Flammability mark | F [For mounting on normally flammable surfaces] | | |

Essential SmartBright LowBay

Controls and Dimming

| | |
|----------|----|
| Dimmable | No |
|----------|----|

Mechanical and Housing

| | |
|-----------------------------|----------------|
| Housing material | Aluminium |
| Reflector material | Aluminium |
| Optic material | Polycarbonate |
| Optical cover/lens material | Polycarbonate |
| Fixation material | - |
| Optical cover/lens finish | Frosted |
| Overall height | 133 mm |
| Overall diameter | 250 mm |
| Colour | Grey and Black |

Approval and Application

| | |
|------------------------------|--------------------------|
| Ingress protection code | IP20 [Finger-protected] |
| Mech. impact protection code | IK03 [0.3 J] |

Initial Performance (IEC Compliant)

| | |
|--------------------------------|---------|
| Initial luminous flux | 1600 lm |
| Luminous flux tolerance | +/-10% |
| Initial LED luminaire efficacy | 80 lm/W |
| Lamp colour temperature | 3000 K |
| Colour Rendering Index | ≥80 |

| | |
|-----------------------------|--------|
| Initial chromaticity | SDCM<5 |
| Initial input power | 20 W |
| Power consumption tolerance | +/-10% |

Over Time Performance (IEC Compliant)

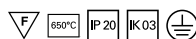
| | |
|---------------------------|---------|
| Median useful life L70B50 | 15000 h |
|---------------------------|---------|

Application Conditions

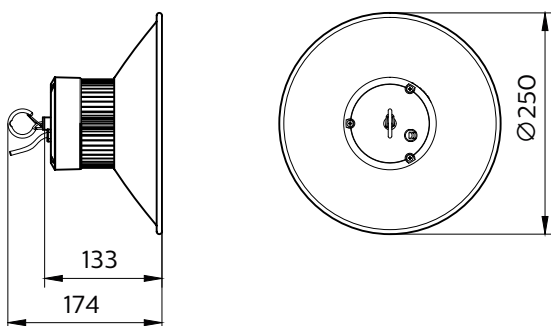
| | |
|-------------------------------|---------------|
| Ambient temperature range | -20 to +40 °C |
| Suitable for random switching | No |

Product Data

| | |
|---------------------------------|--------------------|
| Full product code | 692382862558000 |
| Order product name | BY088P LED20/WW OL |
| EAN/UPC – product | 6923828625580 |
| Order code | 62558000 |
| Numerator – quantity per pack | 1 |
| Numerator – packs per outer box | 1 |
| Material no. (12NC) | 911401669103 |
| Net weight (piece) | 0.709 kg |



Dimensional drawing



BY088P SmartBright Lowbay

