



# Tango G3 - BVP38x

## BVP383 LED405/CW 360W 220-240V NB GM

The energy-saving Philips Tango G3 LED Floodlight is the ideal solution for a wide range of Area lighting applications. It incorporates the LED light source, optical system, heat sink and driver into one compact and robust housing that meets globally recognised safety standards. Its specially designed heat sink incorporates aesthetics and functionality to ensure excellent reliability. Powered by LED technology, this luminaire delivers superior performance and a longer lifetime, bringing area lighting to a whole new level.

### Product data

| General Information           |  | LED engine type                |                   |
|-------------------------------|--|--------------------------------|-------------------|
| Lamp family code              | -  | LED engine type                | LED               |
| Lamp colour code              | Cool white                               | Light Technical                |                   |
| Light source replaceable      | Yes                                      | Standard tilt angle post-top   | -                 |
| Driver/power unit/transformer | PSU [ Power supply unit]                 | Standard tilt angle side entry | -                 |
| Driver included               | Yes                                      | Operating and Electrical       |                   |
| Optical cover/lens type       | PC-MLO [ Polycarbonate micro lens optic] | Input voltage                  | 220-240 V         |
| Luminaire light beam spread   | 13°                                      | Input frequency                | 50 or 60 Hz       |
| Control interface             | -  | Power factor (min.)            | 0.95              |
| Connection                    | Flying leads/wires                       | Controls and Dimming           |                   |
| Cable                         | Cable 1.5 m without plug (CIK5)          | Dimmable                       | No                |
| Protection class IEC          | Safety class I (I)                       | Mechanical and Housing         |                   |
| Flammability mark             | NO [-]                                   | Housing material               | Aluminum die-cast |
| CE mark                       | CE mark                                  | Reflector material             | -                 |
| ENEC mark                     | -  | Optic material                 | Polycarbonate     |
| Warranty period               | 3 years                                  |                                |                   |
| Outdoor optic type            | Narrow beam                              |                                |                   |
| RoHS mark                     | -  |                                |                   |

## Tango G3 - BVP38x

|                             |                                    |
|-----------------------------|------------------------------------|
| Optical cover/lens material | Polycarbonate                      |
| Fixation material           | Steel                              |
| Mounting device             | MBA [ Mounting bracket adjustable] |
| Optical cover/lens shape    | -                                  |
| Optical cover/lens finish   | Frosted                            |
| Overall length              | 591 mm                             |
| Overall width               | 114 mm                             |
| Overall height              | 603 mm                             |
| Effective projected area    | 0.29 m <sup>2</sup>                |
| Colour                      | Aluminium and Grey                 |

### Approval and Application

|  |  |
|--|--|
| Ingress protection code                | IP66 [ Dust penetration-protected, jet-proof]  |
| Mech. impact protection code           | IK08 [ 5 J vandal-protected]   |
| Surge protection (common/differential) | Luminaire surge protection level up to 15 kV differential mode and 15 kV common mode |

### Initial Performance (IEC Compliant)

|                                |          |
|--------------------------------|----------|
| Initial luminous flux          | 40500 lm |
| Luminous flux tolerance        | +/-10%   |
| Initial LED luminaire efficacy | 110 lm/W |

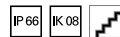
|                             |         |
|-----------------------------|---------|
| Lamp colour temperature     | 5700 K  |
| Colour Rendering Index      | >70     |
| Initial chromaticity        | SDCM< 7 |
| Initial input power         | 360 W   |
| Power consumption tolerance | +/-10%  |

### Application Conditions

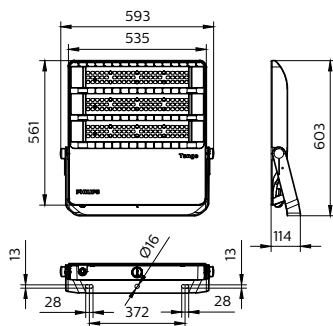
|                           |               |
|---------------------------|---------------|
| Ambient temperature range | -40 to +50 °C |
|---------------------------|---------------|

### Product Data

|                                 |                                      |
|---------------------------------|--------------------------------------|
| Full product code               | 911401694903                         |
| Order product name              | BVP383 LED405/CW 360W 220-240V NB GM |
| Order code                      | 911401694903                         |
| Numerator – quantity per pack   | 1                                    |
| Numerator – packs per outer box | 1                                    |
| Material no. (12NC)             | 911401694903                         |
| Net weight (piece)              | 12.499 kg                            |



## Dimensional drawing



BVP38x Tango G3

