



# GreenSpace Surface-mounted

## SM293C LED20/865 PSU WH GM

Philips GreenSpace Surface-mounted LED Downlight delivers a superior LED alternative that's up to 66% more energy efficient than the conventional downlight retrofits. Blending seamlessly into its environment, GreenSpace Surface-mounted LED Downlight mimics the form of conventional recessed downlights minus the associated high energy and maintenance costs.; Philips GreenSpace Surface-mounted LED Downlight is also ideal for all commercial lighting applications as well as public indoor space where there is limited space in the ceiling.

### Product data

General Information	
Beam angle of light source	- °
Lamp colour code	865 cool daylight
Light source replaceable	No
Number of gear units	1 unit
Driver/power unit/transformer	PSU [ Power supply unit]
Driver included	Yes
Optic type	C [ High-gloss mirror]
Luminaire light beam spread	90°
Connection	No [ -]
Cable	-
Protection class IEC	Safety class I (I)
Glow-wire test	750/5 [ Temperature 750 °C, duration 5 s]
Flammability mark	NO [ -]
CE mark	CE mark
ENEC mark	-
Warranty period	3 years
Constant light output	No

Number of products on MCB	15
RoHS mark	-
Operating and Electrical	
Input voltage	220 to 240 V
Input frequency	50 or 60 Hz
Inrush current	11 A
Inrush time	0.028 ms
Power factor (min.)	0.9
Controls and Dimming	
Dimmable	No
Mechanical and Housing	
Housing material	Aluminum die-cast
Reflector material	Aluminium
Optic material	Aluminum
Optical cover/lens material	-

## GreenSpace Surface-mounted

Fixation material	-
Optical cover/lens finish	-
Overall height	135 mm
Overall diameter	160 mm
Colour	White

### Approval and Application

Ingress protection code	IP20 [ Finger-protected]
Mech. impact protection code	IK02 [ 0.2 J standard]

### Initial Performance (IEC Compliant)

Initial luminous flux	2000 lm
Luminous flux tolerance	+/-10%
Initial LED luminaire efficacy	105.000 lm/W
Lamp colour temperature	6500 K
Colour Rendering Index	>80
Initial chromaticity	(0.31, 0.32) SDCM <5
Initial input power	19 W
Power consumption tolerance	+/-10%

### Over Time Performance (IEC Compliant)

Median useful life L70B50	50000 h
Median useful life L80B50	40000 h
Median useful life L90B50	20000 h

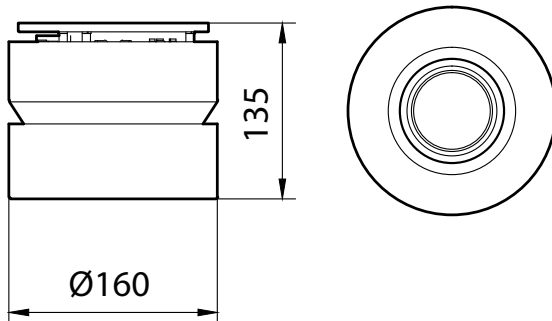
### Application Conditions

Ambient temperature range	-20 to +40 °C
Suitable for random switching	No

### Product Data

Full product code	911401847699
Order product name	SM293C LED20/865 PSU WH GM
Order code	01847699
Numerator – quantity per pack	1
Numerator – packs per outer box	1
Material no. (12NC)	911401847699
Net weight (piece)	0.599 kg

### Dimensional drawing



SM291C/293C/294C/295C GreenSpace surface-mounted

