



GreenSpace Surface-mounted

SM294C LED40/840 PSU WP WH GM

Philips GreenSpace Surface-mounted LED Downlight delivers a superior LED alternative that's up to 66% more energy efficient than the conventional downlight retrofits. Blending seamlessly into its environment, GreenSpace Surface-mounted LED Downlight mimics the form of conventional recessed downlights minus the associated high energy and maintenance costs.; Philips GreenSpace Surface-mounted LED Downlight is also ideal for all commercial lighting applications as well as public indoor space where there is limited space in the ceiling.

Product data

General Information		Number of products on MCB	
Beam angle of light source	- °		24
Lamp colour code	840 neutral white	RoHS mark	-
Light source replaceable	No	Operating and Electrical	
Number of gear units	1 unit	Input voltage	220 to 240 V
Driver/power unit/transformer	PSU [Power supply unit]	Input frequency	50 or 60 Hz
Driver included	Yes	Inrush current	25 A
Optic type	C [High-gloss mirror]	Inrush time	0.202 ms
Luminaire light beam spread	60°	Power factor (min.)	0.9
Connection	No [-]	Controls and Dimming	
Cable	-	Dimmable	No
Protection class IEC	Safety class I (I)	Mechanical and Housing	
Glow-wire test	750/5 [Temperature 750 °C, duration 5 s]	Housing material	Aluminum die-cast
Flammability mark	NO [-]	Reflector material	Aluminium
CE mark	CE mark	Optic material	Aluminum
ENEC mark	-	Optical cover/lens material	-
Warranty period	3 years		
Constant light output	No		

GreenSpace Surface-mounted

Fixation material	-
Optical cover/lens finish	-
Overall height	239 mm
Overall diameter	200 mm
Colour	White

Approval and Application

Ingress protection code	IP65 [Dust penetration-protected, jet-proof]
Mech. impact protection code	IK02 [0.2 J standard]

Initial Performance (IEC Compliant)

Initial luminous flux	3800 lm
Luminous flux tolerance	+/-10%
Initial LED luminaire efficacy	105.000 lm/W
Lamp colour temperature	4000 K
Colour Rendering Index	>80
Initial chromaticity	(0.38, 0.38) SDCM <5
Initial input power	36 W
Power consumption tolerance	+/-10%

Over Time Performance (IEC Compliant)

Median useful life L70B50	50000 h
---------------------------	---------

Median useful life L80B50	40000 h
Median useful life L90B50	20000 h

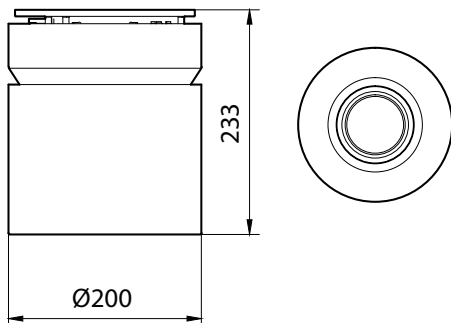
Application Conditions

Ambient temperature range	-20 to +40 °C
Suitable for random switching	No

Product Data

Full product code	911401847999
Order product name	SM294C LED40/840 PSU WP WH GM
Order code	911401847999
Local Code	SM294C38WNWFWP
Numerator – quantity per pack	1
Numerator – packs per outer box	1
Material no. (12NC)	911401847999
Net weight (piece)	2.199 kg

Dimensional drawing



SM291C/293C/294C/295C GreenSpace surface-mounted

