



SmartBright LED Security Light

BWS220 LED20/NW PSU

The SmartBright LED Security light is a PIR motion sensor activated twin head security light. With a wide detection range, brighter light output and instant-on LED technology, you can be assured your property is well lit for visibility at night.

Product data

General Information	
Lamp colour code	840 neutral white
Light source replaceable	No
Driver included	Yes
Optical cover/lens type	No [-]
Luminaire light beam spread	120°
Control interface	-
Connection	SCREW [Screw connector]
Cable	-
Protection class IEC	Safety class I (I)
Flammability mark	F [For mounting on normally flammable surfaces]
CE mark	-
Number of products on MCB	20
LED engine type	LED
Light Technical	
Standard tilt angle post-top	-
Standard tilt angle side entry	-
Operating and Electrical	
Input voltage	240 V

Input frequency	50 to 60 Hz
Inrush current	5.25 A
Inrush time	0.0405 ms
Power factor (min.)	0.9
Controls and Dimming	
Dimmable	No
Mechanical and Housing	
Housing material	Metal-Plastic
Optical cover/lens material	Polycarbonate
Mounting device	Baseplate
Optical cover/lens finish	Frosted
Overall length	242 mm
Overall width	171 mm
Overall height	168 mm
Colour	black
Approval and Application	
Ingress protection code	IP54 [Dust accumulation-protected, splash-proof]

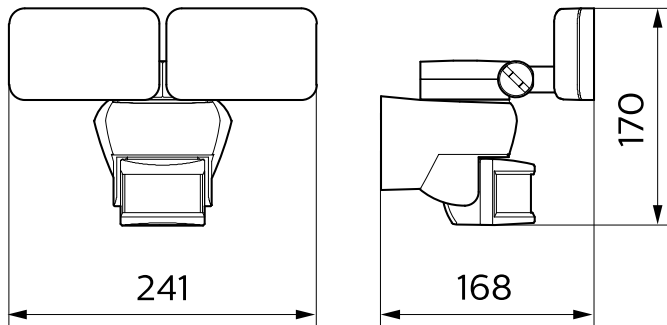
SmartBright LED Security Light

Mech. impact protection code	IK05 [0.7 J]
Initial Performance (IEC Compliant)	
Initial luminous flux	2000 lm
Luminous flux tolerance	+/-10%
Initial LED luminaire efficacy	66.7 lm/W
Lamp colour temperature	4000 K
Colour Rendering Index	>80
Initial chromaticity	SDCM<7
Initial input power	30 W
Power consumption tolerance	+/-10%
Application Conditions	
Ambient temperature range	-20 to +40 °C

Product Data	
Full product code	911401853597
Order product name	BWS220 LED20/NW PSU
EAN/UPC – product	8710163315256
Order code	911401853597
Numerator – quantity per pack	1
Numerator – packs per outer box	8
Material no. (12NC)	911401853597
Net weight (piece)	0.680 kg



Dimensional drawing



BWS220 SmartBright LED

