



CityCurve gen2

BSP295 GRN20/740 PSR-CLO WSO D4 II DB703

CityCurve gen 2 - LED GreenLine 2000 lm - 740 neutral white - Power supply unit regulating with constant light output - Safety class II (II) - Wide street optic - Dimming via SDU01S (ON= maximum output level)

Offering a contemporary interpretation of the old 'bell'-shaped street light, CityCurve gen2, with its retro appearance, fits both modern urban spaces as well as historical environments. Its LED module allows cities to focus on reducing energy consumption. Designed for installation at heights of 4 to 6 meters, and offering a wide choice of brackets and columns, CityCurve gen2 is ideal for lighting urban centers and streets, pedestrian areas, squares and parks.

Product data

General Information		Supply cable type	
Number of light sources	16 [16 pcs]	H07RN-3x1.5 [Cable type H07RN (NWPk) without plug 3 poles cross-section 1.5 mm ²]	
Lamp family code	GRN20 [LED GreenLine 2000 lm]	Product Family Code	
Light source colour	740 neutral white	BSP295 [CityCurve gen 2]	
Light source replaceable	Yes	Operating and Electrical	
Driver/power unit/transformer	PSR-CLO [Power supply unit regulating with constant light output]	Input voltage	220 to 240 V
Driver included	Yes	Input frequency	50 to 60 Hz
Optical cover/lens type	PCC [Polycarbonate bowl/cover clear]	Control signal voltage	1-10 V DC
Light regulation	Dimming via SDU01S (ON= maximum output level)	Controls and Dimming	
Protection class IEC	Safety class II (II)	Dimmable	Yes
Glow-wire test	650/5 [Temperature 650 °C, duration 5 s]	Mechanical and Housing	
CE mark	CE mark	Housing material	Aluminum
ENEC mark	ENEC mark	Optical cover/lens material	Polycarbonate
Outdoor optic type	Wide street optic		

CityCurve gen2

Supply cable length	10 m
Mounting device	SP [Spigot]

Approval and Application

Ingress protection code	IP65 [Dust penetration-protected, jet-proof]
Mech. impact protection code	IK10 [20 J vandal-resistant]

Initial Performance (IEC Compliant)

Initial luminous flux	1620 lm
Initial LED luminaire efficacy	81 lm/W
Init. Corr. colour temperature	4000 K
Initial input power	20 W

Application Conditions

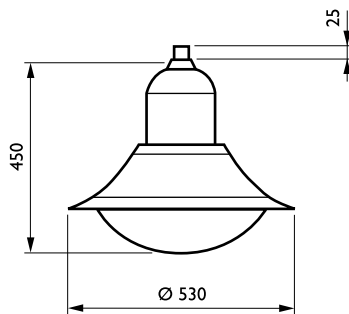
Ambient temperature range	-25 to +35 °C
---------------------------	---------------

Product Data

Full product code	871794312002400
Order product name	BSP295 GRN20/740 PSR-CLO WSO D4 II DB703
EAN/UPC – product	8717943120024
Order code	12002400
Numerator – quantity per pack	1
Numerator – packs per outer box	1
Material no. (12NC)	912300020003
Net weight (piece)	17.000 kg



Dimensional drawing



CityCurve gen2 LED BSP295

