



CityCurve gen2

BSP295 GRN24/830 PSR WSO II GR-900

CityCurve gen 2 - LED GreenLine 2400 lm - 830 warm white - Power supply unit regulating - Safety class II (II) - Wide street optic - Gray Gris 900 Sablé

Offering a contemporary interpretation of the old 'bell'-shaped street light, CityCurve gen2, with its retro appearance, fits both modern urban spaces as well as historical environments. Its LED module allows cities to focus on reducing energy consumption. Designed for installation at heights of 4 to 6 meters, and offering a wide choice of brackets and columns, CityCurve gen2 is ideal for lighting urban centers and streets, pedestrian areas, squares and parks.

Product data

General Information		Product Family Code	BSP295 [CityCurve gen 2]
Number of light sources	24 [24 pcs]	Operating and Electrical	
Lamp family code	GRN24 [LED GreenLine 2400 lm]	Input voltage	220 to 240 V
Light source colour	830 warm white	Input frequency	50 to 60 Hz
Light source replaceable	Yes	Control signal voltage	1-10 V DC
Driver/power unit/transformer	PSR [Power supply unit regulating]	Controls and Dimming	
Driver included	Yes	Dimmable	Yes
Optical cover/lens type	PCC [Polycarbonate bowl/cover clear]	Mechanical and Housing	
Protection class IEC	Safety class II (II)	Housing material	Aluminum
Colour choice	Gray Gris 900 Sablé	Optical cover/lens material	Polycarbonate
Glow-wire test	650/5 [Temperature 650 °C, duration 5 s]	Supply cable length	10 m
CE mark	CE mark	Mounting device	SP [Spigot]
ENEC mark	ENEC mark		
Outdoor optic type	Wide street optic		
Supply cable type	No [-]		

CityCurve gen2

Approval and Application

Ingress protection code	IP65 [Dust penetration-protected, jet-proof]
Mech. impact protection code	IK10 [20 J vandal-resistant]

Initial Performance (IEC Compliant)

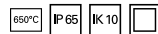
Initial luminous flux	1944 lm
Initial LED luminaire efficacy	67 lm/W
Init. Corr. colour temperature	3000 K
Init. colour rendering index	84
Initial input power	29 W

Application Conditions

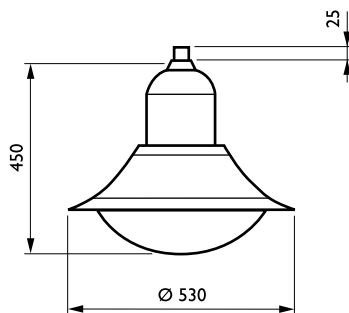
Ambient temperature range	-25 to +35 °C
---------------------------	---------------

Product Data

Full product code	871794312020800
Order product name	BSP295 GRN24/830 PSR WSO II GR-900
EAN/UPC – product	8717943120208
Order code	12020800
Numerator – quantity per pack	1
Numerator – packs per outer box	1
Material no. (12NC)	912300020021
Net weight (piece)	17.000 kg



Dimensional drawing



CityCurve gen2 LED BSP295

