



OptiVision LED

EVP512 GRN 93K/757 277V IP66 7035 D9 T15

OptiVision LED Driver Box - LED GreenLine - 93,000 lm - 277 V
 - Dust penetration-protected, jet-proof - Pale gray - - -
 Dimming via external communication DALI - 15 °C

Philips OptiVision LED floodlighting system – the latest in high-efficiency LED technology – provides a complete lighting solution for the simplest through to the most complex area and recreational sports lighting applications. The specially engineered OptiVision LED luminaires come with a full range of options to meet the highest performance standards, to provide outstanding light quality, and to guarantee safety and visual comfort. They deliver maximum light output while ensuring effective thermal management in order to maximize lifetime and minimize maintenance costs. In area applications, the OptiVision LED system offers new possibilities to reduce energy consumption and increase flexibility (instant start, programmable lighting levels based on actual need) when used in conjunction with Philips’ advanced system controls and sensors. The OptiVision LED luminaires are also compatible with other external control systems via DALI protocol. The range includes versions with three/two LED light modules which function with an external driver box, as well a compact version with two LED light modules and an integral driver unit for easy installation and lower installation costs.

Product data

General Information		Standard RAL colour	Pale gray
Lamp family code	GRN [LED GreenLine]	CE mark	CE mark
Light source colour	757 cool white	ENEC mark	ENEC mark
Embedded control	No [-]	Product Family Code	EVP512 [OptiVision LED Driver Box]
Light regulation	Dimming via external communication DALI		
Electrical circuit protection	-		
Protection class IEC	Safety class I		

OptiVision LED

Light Technical

Light source flux 93,000 lm

Operating and Electrical

Input voltage 277 V

Input frequency 50 to 60 Hz

Mechanical and Housing

Dimensions (height x width x depth) NaN x NaN x NaN mm (NaN x NaN x NaN in)

Approval and Application

Ingress protection code IP66 [Dust penetration-protected, jet-proof]

Mech. impact protection code IK08 [5 J vandal-protected]

Initial Performance (IEC Compliant)

Init. Corr. colour temperature 5700 K

Application Conditions

Ambient temperature range -30 to +45 °C

Product Data

Full product code 871794320150100

Order product name EVP512 GRN 93K/757 277V IP66 7035 D9 T15

EAN/UPC – product 8717943201501

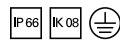
Order code 20150100

Numerator – quantity per pack 1

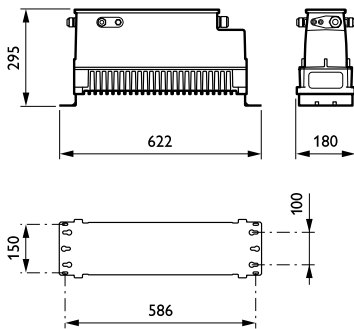
Numerator – packs per outer box 1

Material no. (12NC) 912300023183

Net weight (piece) 12.000 kg



Dimensional drawing



OptiVision LED drivers EVP510-514

