



ClassicStreet brackets

JGB795 MBP-S 750 76 BK

CLASSICSTREET BRACKETS POST TOP - Pole-mounting bracket 1 arm - 750 mm - Black

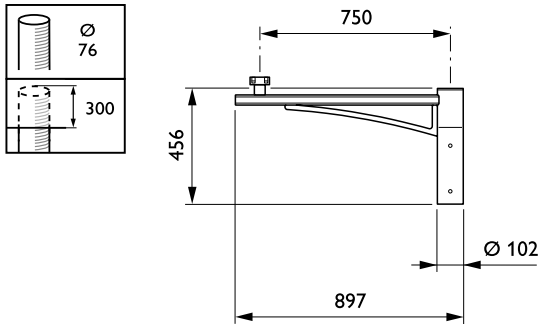
Recalling the iconic beauty of 20th-century street lanterns, ClassicStreet combines elegant design with the subtle details of heritage luminaires while meeting today's urban lighting requirements. Though echoing the past, the ClassicStreet luminaire is very much shaped for the future. Its gently curved design, together with dedicated brackets and poles, creates a contemporary look that beautifies our cities and creates distinctive and warm night- and daytime ambiances. Not only in historical and traditional architectural settings, but also in more modern urban environments too. Designed around its LED engine, ClassicStreet delivers outstanding levels of lighting and energy performance.

Product data

General Information			
Bracket type	Pole-mounting bracket 1 arm	Order product name	JGB795 MBP-S 750 76 BK
Bracket colour	Black	EAN/UPC – product	8717943216536
Product Family Code	JGB795 [CLASSICSTREET BRACKETS POST TOP]	Order code	21653600
		Numerator – quantity per pack	1
		Numerator – packs per outer box	1
		Material no. (12NC)	912300023376
		Net weight (piece)	6.900 kg
Mechanical and Housing			
Bracket length	750 mm		
Product Data			
Full product code	871794321653600		

ClassicStreet brackets

Dimensional drawing



ClassicStreet brackets JGB794/795

