



Quebec LED

BRP775 LED59-4S/740 PSU II DS50 O BK

QUEBEC LED - LED module 5900 lm - 4th generation, screw fixation - 740 neutral white - Power supply unit - Safety class II (II) - Distribution symmetrical 50 - PMMA bowl/cover - Black - Philips standard surge protection level kV - - - 25 °C - Spigot for diameter 60 mm

Quebec LED is a stylish luminaire designed to brighten up residential streets and pathways, precincts, parks and other urban spaces. It incorporates an energy-efficient LED engine with high-performance optics, while at the same time retaining the character of the original Quebec fixture. It also offers a choice of bowl versions and mounting options. All these factors together make Quebec LED a versatile solution that can meet the needs of any project.

Product data

General Information	
Number of light sources	30 [30 pcs]
Lamp family code	LED59 [LED module 5900 lm]
Lamp version	4S [4th generation, screw fixation]
Light source colour	740 neutral white
Light source replaceable	Yes
Number of gear units	1 unit
Driver/power unit/transformer	PSU [Power supply unit]
Driver included	Yes
Optical cover/lens type	PM [PMMA bowl/cover]
Luminaire light beam spread	152° x 155°
Connection	W [Plug-in connector 3-pole Wieland/Adels compatible]

Cable	-
Protection class IEC	Safety class II (II)
Flammability mark	NO [-]
CE mark	CE mark
ENEC mark	ENEC mark
Warranty period	5 years
Outdoor optic type	Distribution symmetrical 50
Remarks	*-Per Lighting Europe guidance paper "Evaluating performance of LED based luminaires - January 2018": statistically there is no relevant difference in lumen maintenance between B50 and for example B10. Therefore the median useful life (B50) value also represents the B10 value. * At extreme ambient

Quebec LED

	temperatures the luminaire might automatically dim down to protect components
Constant light output	No
Number of products on MCB	11
LED engine type	LED
Product Family Code	BRP775 [QUEBEC LED]

Light Technical

Upward light output ratio	0.03
Standard tilt angle post-top	5°
Standard tilt angle side entry	-

Operating and Electrical

Input voltage	220 to 240 V
Input frequency	50 to 60 Hz
Inrush current	46 A
Inrush time	0.25 ms
Power factor (min.)	0.95
Power factor (nom.)	0.92

Controls and Dimming

Dimmable	No
----------	----

Mechanical and Housing

Housing material	Aluminum
Reflector material	-
Optic material	Polymethyl methacrylate
Optical cover/lens material	Polymethyl methacrylate
Fixation material	Aluminum
Mounting device	60 [Spigot for diameter 60 mm]
Optical cover/lens shape	Hemispherical
Optical cover/lens finish	Opal
Overall height	388 mm
Overall diameter	478 mm
Effective projected area	0.1 m ²
Colour	Black
Dimensions (height x width x depth)	388 x NaN x NaN mm (15.3 x NaN x NaN in)

Approval and Application

Ingress protection code	IP65 [Dust penetration-protected, jet-proof]
Mech. impact protection code	IK08 [5 J vandal-protected]
Surge protection (common/differential)	Philips standard surge protection level kV

Initial Performance (IEC Compliant)

Initial luminous flux	5040 lm
Luminous flux tolerance	+/-7%
Initial LED luminaire efficacy	140 lm/W
Init. Corr. colour temperature	4000 K
Init. colour rendering index	>70
Initial chromaticity	(0.381, 0.379) SDCM <5
Initial input power	36 W
Power consumption tolerance	+/-11%

Over Time Performance (IEC Compliant)

Control gear failure rate at median useful life 100,000 h	10 %
Lumen maintenance at median useful life* 100,000 h	94

Application Conditions

Ambient temperature range	-40 to +50 °C
Performance ambient temperature Tq	25 °C

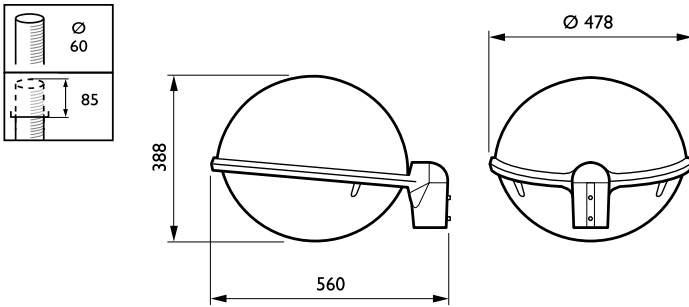
Product Data

Full product code	871869908984900
Order product name	BRP775 LED59-4S/740 PSU II DS50 O BK
EAN/UPC – product	8718699089849
Order code	08984900
Numerator – quantity per pack	1
Numerator – packs per outer box	1
Material no. (12NC)	912300023474
Net weight (piece)	6.175 kg

IP65

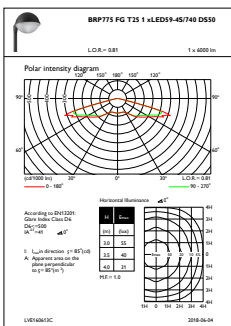
Quebec LED

Dimensional drawing

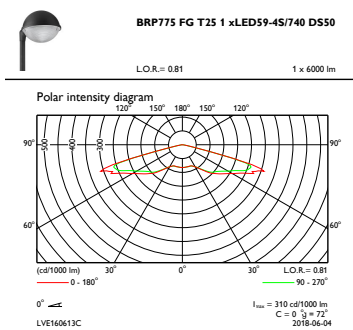


Quebec LED BRP775/776

Photometric data



OFPL1_BRP775FGT251xLED59-4S740DS50



OFPC1_BRP775FGT251xLED59-4S740DS50

