



ClassicStreet

BDP794 LED42-4S/740 II DS50 MK-WH BK D9

ClassicStreet Top - LED module 4200 lm - 740 neutral white - Power supply unit regulating - Safety class II (II) - Distribution symmetrical 50 - Flat glass - Black - Dimming via external communication DALI - Luminaire surge protection level up to 6 kV differential mode and 8 kV common mode - External connector - Cable 1.0 m with plug Wieland/Adels compatible 2-pole - Post-top for diameter 60 mm

Recalling the iconic beauty of 20th-century street lanterns, ClassicStreet combines elegant design with the subtle details of heritage luminaires while meeting today's urban lighting requirements. Though echoing the past, the ClassicStreet luminaire is very much shaped for the future. Its gently curved design, together with dedicated brackets and poles, creates a contemporary look that beautifies our cities and creates distinctive and warm night- and daytime ambiances. Not only in historical and traditional architectural settings, but also in more modern urban environments too. Designed around its LED engine, ClassicStreet delivers outstanding levels of lighting and energy performance.

Product data

General Information		Driver included	
Number of light sources	20 [20 pcs]	Driver included	Yes
Lamp family code	LED42 [LED module 4200 lm]	Optical cover/lens type	FG [Flat glass]
Lamp version	4S [4th generation, screw fixation]	Luminaire light beam spread	152° x 155°
Light source colour	740 neutral white	Control interface	DALI
Light source replaceable	Yes	Light regulation	Dimming via external communication DALI
Number of gear units	1 unit	Connection	CE [External connector]
Driver/power unit/transformer	PSR [Power supply unit regulating]	Cable	Cable 1.0 m with plug Wieland/Adels compatible 2-pole

Protection class IEC	Safety class II (II)
Flammability mark	NO [-]
CE mark	CE mark
ENEC mark	ENEC mark
Warranty period	5 years
Outdoor optic type	Distribution symmetrical 50
Remarks	*-Per Lighting Europe guidance paper "Evaluating performance of LED based luminaires - January 2018": statistically there is no relevant difference in lumen maintenance between B50 and for example B10. Therefore the median useful life (B50) value also represents the B10 value. * At extreme ambient temperatures the luminaire might automatically dim down to protect components
Constant light output	No
Number of products on MCB	11
EU RoHS compliant	Yes
LED engine type	LED
Product Family Code	BDP794 [ClassicStreet Top]

Light Technical

Upward light output ratio	0.03
Standard tilt angle post-top	0°
Standard tilt angle side entry	-

Operating and Electrical

Input voltage	220-240 V
Input frequency	50 to 60 Hz
Inrush current	46 A
Inrush time	0.25 ms
Power factor (min.)	0.92

Controls and Dimming

Dimmable	Yes
----------	-----

Mechanical and Housing

Housing material	Aluminum
Reflector material	-
Optic material	Polymethyl methacrylate
Optical cover/lens material	Tempered glass
Fixation material	Aluminium
Mounting device	60P [Post-top for diameter 60 mm]
Optical cover/lens shape	Flat
Optical cover/lens finish	Clear
Overall length	428 mm

Overall width	428 mm
Overall height	586 mm
Effective projected area	0.15 m²
Colour	Black
Dimensions (height x width x depth)	586 x 428 x 428 mm (23.1 x 16.9 x 16.9 in)

Approval and Application

Ingress protection code	IP66 [Dust penetration-protected, jet-proof]
Mech. impact protection code	IK09 [10 J]
Surge protection (common/differential)	Luminaire surge protection level up to 6 kV differential mode and 8 kV common mode

Initial Performance (IEC Compliant)

Initial luminous flux	2898 lm
Luminous flux tolerance	+/-7%
Initial LED luminaire efficacy	109 lm/W
Init. Corr. Colour Temperature	4000 K
Init. colour rendering index	≥70
Initial chromaticity	(0.380, 0.380) SDCM <5
Initial input power	26.5 W
Power consumption tolerance	+/-11%

Over Time Performance (IEC Compliant)

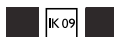
Control gear failure rate at median useful life 100,000 h	10 %
Lumen maintenance at median useful life* 100,000 h	94

Application Conditions

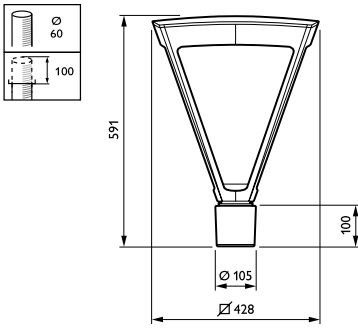
Ambient temperature range	-40 to +50 °C
Performance ambient temperature Tq	25 °C
Maximum dimming level	10%

Product Data

Full product code	871869911682800
Order product name	BDP794 LED42-4S/740 II DS50 MK-WH BK D9
EAN/UPC – product	8718699116828
Order code	11682800
Numerator – quantity per pack	1
Numerator – packs per outer box	1
Material no. (12NC)	912300023852
Net weight (piece)	10.950 kg

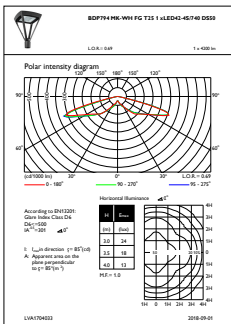


Dimensional drawing

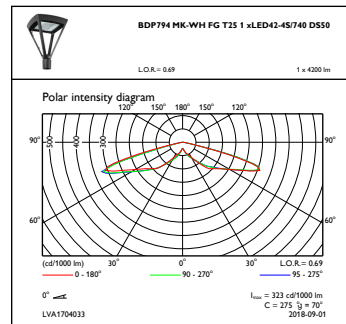


ClassicStreet BDP/BPP/BSP/BVP794

Photometric data



OFPL1_BDP794MK-WHFGT251xLED42-4S740DS50



OFPC1_BDP794MK-WHFGT251xLED42-4S740DS50

