



TownTune Asymmetric Lyre DR

BDP271 LED50-4S/740 DS50 CLO DDF2 62P

TOWNTUNE ASYMMETRIC LYRE and DR - LED module 5000 lm
- LED - 740 neutral white - Power supply unit with DALI
interface and constant light output - 220 to 240 V - 50 or 60 Hz
- Safety class I - Distribution symmetrical 50 - Polycarbonate
bowl/cover UV-resistant - Dark Grey - Philips standard surge
protection level kV - - - Post-top for diameter 62 mm -
Decorative ring

As a luminaire family prepared for existing and scalable urban spaces, TownTune offers all the recent lighting innovations in terms of performance, quality of light and connectivity. The Philips TownTune family consists of three members: a central post top, an asymmetric spigot version and a version using an extending lyre post-top bracket. Each of these three can be customised with a choice of different shapes for housing and an optional decorative ring which comes in two colours. By having these options available, you can create your very own lighting signature and give a distinctive identity to districts and cities. The luminaire family is also equipped with the QR code-based Philips Service tag, which supports installation and maintenance work and enables you to create a digital library of lighting assets and spare parts. TownTune also makes use of the Philips Ledgine optimised lighting platform, ensuring that you always have the right amount and direction of light on your street. Furthermore, thanks to being SR (System-Ready), TownTune is also future-proof and is ready to be paired with both standalone and advanced control and lighting software applications, such as Interact City.

Product data

TownTune Asymmetric Lyre DR

General Information	
Lamp family code	LED50 [LED module 5000 lm]
Light source colour	740 neutral white
Light source replaceable	Yes
Number of gear units	1 unit
Driver/power unit/transformer	PSD-CLO [Power supply unit with DALI interface and constant light output]
Driver included	Yes
Optical cover/lens type	PC-UV [Polycarbonate bowl/cover UV-resistant]
Luminaire light beam spread	152° x 155°
Control interface	DALI
Connection	Internal connector
Cable	-
Protection class IEC	Safety class I
Flammability mark	F [For mounting on normally flammable surfaces]
CE mark	CE mark
ENEC mark	ENEC mark
Warranty period	5 years
Decorative accessories	DR [Decorative ring]
Outdoor optic type	Distribution symmetrical 50
Remarks	* At extreme ambient temperatures the luminaire might automatically dim down to protect components
Constant light output	Yes
Number of products on MCB	11
LED engine type	LED
Product Family Code	BDP271 [TOWNTUNE ASYMMETRIC LYRE and DR]

Light Technical	
Upward light output ratio	0
Standard tilt angle post-top	0°
Standard tilt angle side entry	-

Operating and Electrical	
Input voltage	220 to 240 V
Input frequency	50 or 60 Hz
Initial CLO power consumption	29 W
Average CLO power consumption	30 W
End CLO power consumption	30 W
Inrush current	22 A
Inrush time	0.290 ms
Power factor (min.)	0.98

Controls and Dimming	
Dimmable	Yes

Mechanical and Housing	
Housing material	Aluminium die-cast

Reflector material	Acrylate
Optic material	Polymethyl methacrylate
Optical cover/lens material	Polymethyl methacrylate
Fixation material	Aluminium
Mounting device	62P [Post-top for diameter 62 mm]
Optical cover/lens shape	Convex lens
Optical cover/lens finish	Clear
Overall height	580 mm
Overall diameter	533 mm
Effective projected area	0.095 m ²
Colour	Dark Grey
Dimensions (height x width x depth)	580 x NaN x NaN mm (22.8 x NaN x NaN in)

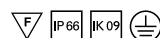
Approval and Application	
Ingress protection code	IP66 [Dust penetration-protected, jet-proof]
Mech. impact protection code	IK09 [10 J]
Surge protection (common/differential)	Philips standard surge protection level kV

Initial Performance (IEC Compliant)	
Initial luminous flux	3478 lm
Luminous flux tolerance	+/-7%
Initial LED luminaire efficacy	135 lm/W
Init. Corr. colour temperature	4000 K
Init. colour rendering index	>70
Initial chromaticity	(0.381, 0.379) SDCM <5
Initial input power	30 W
Power consumption tolerance	+/-11%

Over Time Performance (IEC Compliant)	
Control gear failure rate at median useful life 100,000 h	10 %
Lumen maintenance at median useful life* 100,000 h	L100

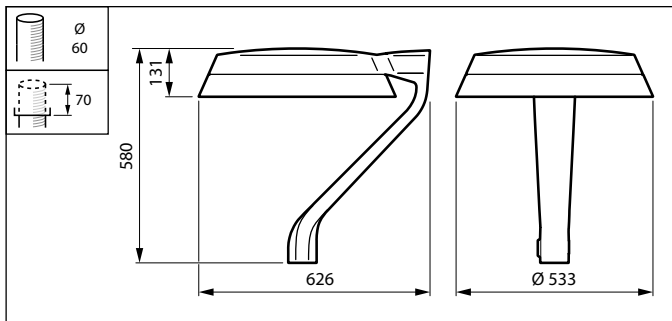
Application Conditions	
Ambient temperature range	-40 to +50 °C
Performance ambient temperature Tq	25 °C
Maximum dimming level	10%

Product Data	
Full product code	871869949766800
Order product name	BDP271 LED50-4S/740 DS50 CLO DDF2 62P
EAN/UPC – product	8718699497668
Order code	49766800
Numerator – quantity per pack	1
Numerator – packs per outer box	1
Material no. (12NC)	912300024207
Net weight (piece)	10.930 kg



TownTune Asymmetric Lyre DR

Dimensional drawing



TownTune BDP260-273

