



CitySoul gen2 LED Mini

BSP530 LED60-4S/830 II DM50 D9 SRG10 AL

CitySoul gen2 Suspended Mini - LED module 6000 lm - 830 warm white - Power supply unit with DALI interface - Safety class II - Distribution medium 50 - Clear glass - Grey - Surge protection level until 10 kV - - - Suspension set simple, standard

CitySoul gen2 LED is one of the most versatile and inspirational urban street lighting families designed by Philips to date. This highly efficient range delivers excellent lighting levels whilst also providing the right ambiance for all urban application areas, from the outskirts of the city right through to the city center. By evolving the modularity of the CitySoul family and adding new innovations like the Lyre and the Accent bracket, Philips has made this range the ideal toolbox for every urban context. The design is flatter, completely round, and the transitions with the spigot and bracket entirely flush, thereby giving your cityscape a coherent, elegant and discreet identity. Designed around its LED engine, CitySoul gen2 LED is highly efficient and easy to maintain. It comes in two sizes and is suitable for side-entry, post-top, catenary and suspended mounting.

Product data

General Information		Driver included	Yes
Number of light sources	30 [30 pcs]	Optical cover/lens type	GC [Clear glass]
Lamp family code	LED60 [LED module 6000 lm]	Luminaire light beam spread	-
Light source colour	830 warm white	Control interface	DALI
Light source replaceable	Yes	Connection	Screw connection block
Number of gear units	1 unit	Cable	-
Driver/power unit/transformer	PSD [Power supply unit with DALI interface]	Protection class IEC	Safety class II

CitySoul gen2 LED Mini

Flammability mark	NO [-]
CE mark	CE mark
ENEC mark	ENEC mark
Warranty period	5 years
Outdoor optic type	Distribution medium 50
Remarks	* At extreme ambient temperatures the luminaire might automatically dim down to protect components
Constant light output	No
Number of products on MCB	11
RoHS mark	RoHS mark
LED engine type	LED
Product Family Code	BSP530 [CitySoul gen2 Suspended Mini]

Light Technical

Upward light output ratio	0.03
Standard tilt angle post-top	-
Standard tilt angle side entry	-

Operating and Electrical

Input voltage	220 to 240 V
Input frequency	50 to 60 Hz
Inrush current	46 A
Inrush time	0.25 ms
Power factor (min.)	0.96

Controls and Dimming

Dimmable	Yes
----------	-----

Mechanical and Housing

Housing material	Aluminium
Reflector material	Acrylate
Optic material	Polymethyl methacrylate
Optical cover/lens material	Glass
Fixation material	Aluminum
Mounting device	SMS [Suspension set simple, standard]
Optical cover/lens shape	Flat
Optical cover/lens finish	Clear
Overall height	215 mm
Overall diameter	540 mm
Effective projected area	0.054 m ²
Colour	Grey

Dimensions (height x width x depth)	215 x NaN x NaN mm (8.5 x NaN x NaN in)
-------------------------------------	---

Approval and Application

Ingress protection code	IP66 [Dust penetration-protected, jet-proof]
Mech. impact protection code	IK08 [5 J vandal-protected]
Surge protection (common/differential)	Surge protection level until 10 kV

Initial Performance (IEC Compliant)

Initial luminous flux	5100 lm
Luminous flux tolerance	+/-7%
Initial LED luminaire efficacy	111 lm/W
Init. Corr. colour temperature	3000 K
Init. colour rendering index	≥80
Initial chromaticity	(0.43, 0.40) SDCM <5
Initial input power	46 W
Power consumption tolerance	+/-11%

Over Time Performance (IEC Compliant)

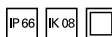
Control gear failure rate at median useful life 100000 h	10 %
Lumen maintenance at median useful life* 100000 h	L92

Application Conditions

Ambient temperature range	-40 to +50 °C
Performance ambient temperature Tq	25 °C
Maximum dimming level	10%

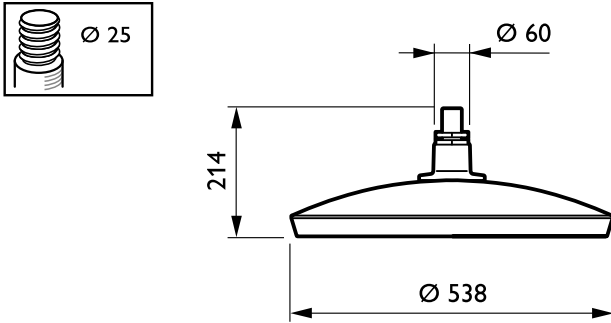
Product Data

Full product code	871869989205000
Order product name	BSP530 LED60-4S/830 II DM50 D9 SRG10 AL
EAN/UPC – product	8718699892050
Order code	89205000
Numerator – quantity per pack	1
Numerator – packs per outer box	1
Material no. (12NC)	912300024532
Net weight (piece)	13.300 kg



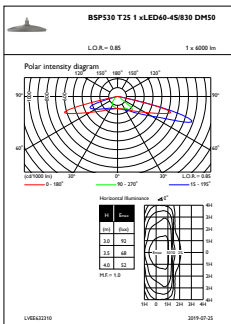
CitySoul gen2 LED Mini

Dimensional drawing

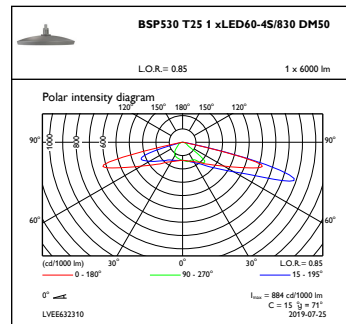


CitySoul gen2 BGP/BPP/BRP/BSP/BVP530/531

Photometric data



OFPL1_BSP530T251xLED60-4S830DM50



OFPC1_BSP530T251xLED60-4S830DM50

