



# Zadora LED

## RS049B LED-MS-40-5W-3000-GU10 WH 50W

MASTER LED - 36 ° - 5 W - 3000 K - GU10 - White - 50 W equivalent

Zadora LED is a range of recessed adjustable downlights for MASTERLEDspot lamps. They come in ready-to-install KIT versions including the MASTERLEDspot MV lamp. MASTER LEDspot delivers huge energy savings and minimizes maintenance cost without compromising on brightness, enabling owners to achieve a return on their investment within one year. The adjustable version offers 30° orientation from the vertical. Both lamps deliver a flux equivalent to that of a 50 W halogen lamp. Zadora LED downlights are available in different color finishes. Maintenance is easy as the lamp can be accessed directly.

### Product data

General Information			
Number of light sources	1 pc	Connection	Screw connection block 3-pole
Lamp family code	LED [ MASTER LED]	Cable	-
Beam angle of light source	36 °	Protection class IEC	Safety class II
Lamp power	5 W	Glow-wire test	Temperature 850 °C, duration 5 s
Light source color	830 warm white	Flammability mark	For mounting on normally flammable surfaces
Cap-Base	GU10 [ GU10]	Type description	50 W equivalent
Kombipack	Lamp(s) included	CE mark	CE mark
Light source replaceable	Yes	UL mark	-
Number of gear units	-	Warranty period	1 years
Gear	-	Remarks	*-Per Lighting Europe guidance paper "Evaluating performance of LED based luminaires - January 2018": statistically there is no relevant difference in lumen maintenance between B50 and for example B10. Therefore the median useful life (B50) value also represents the B10 value.
Driver/power unit/transformer	Power supply unit regulating		
Driver included	Yes		
Optic type	Beam angle 40°		
Luminaire light beam spread	40°		

## Zadora LED

Constant light output	No
Number of products on MCB of 16 A type B	48
RoHS mark	RoHS mark

### Operating and Electrical

Input Voltage	220 to 240 V
Input Frequency	50 to 60 Hz
Inrush current	2 A
Inrush time	82 ms
Power Factor (Min)	0.7

### Controls and Dimming

Dimmable	Yes
----------	-----

### Mechanical and Housing

Housing Material	Plastic
Reflector material	-
Optic material	Polymethyl methacrylate
Optical cover/lens material	Polycarbonate
Fixation material	Stainless steel
Optical cover/lens finish	Frosted
Overall height	145 mm
Overall diameter	85 mm
Color	White
Dimensions (Height x Width x Depth)	145 x NaN x NaN mm (5.7 x NaN x NaN in)

### Approval and Application

Ingress protection code	IP20 [ Finger-protected]
Mech. impact protection code	IK02 [ 0.2 J standard]

### Initial Performance (IEC Compliant)

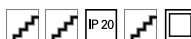
Initial luminous flux (system flux)	365 lm
Luminous flux tolerance	+/-10%
Initial LED luminaire efficacy	75 lm/W
Init. Corr. Color Temperature	3000 K
Init. Color Rendering Index	80
Initial chromaticity	(0.43, 0.40) SDCM <5
Initial input power	5 W
Power consumption tolerance	+/-10%

### Application Conditions

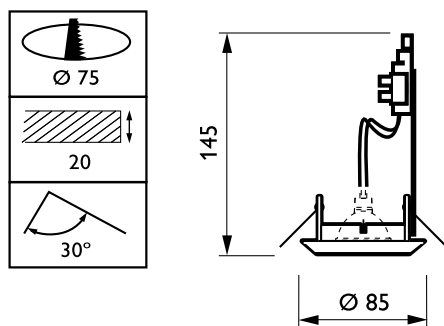
Ambient temperature range	-20 to +45 °C
Performance ambient temperature Tq	25 °C
Maximum dim level	1% (depends on dimmer, ELV)
Suitable for random switching	Yes

### Product Data

Full product code	871869607015499
Order product name	RS049B LED-MS-40-5W-3000-GU10 WH 50W
EAN/UPC - Product	8718696070154
Order code	912401483107
Numerator - Quantity Per Pack	1
Numerator - Packs per outer box	36
Material Nr. (12NC)	912401483107
Net Weight (Piece)	0.260 kg



## Dimensional drawing



Zadora LED RS049B

## Zadora LED

