



# FastSet, Surface-Mounted

## SM150C LED37S/840 PSU TW3 PI5 L1440

840 neutral white - Power supply unit - Connection unit 5-pole

Upgrading to LED is a key trend in offices. Recognising the need for an easy-to-use luminaire that can work as the perfect 1:1 replacement for conventional office lighting, we developed FastSet. This luminaire is an ideal choice to quickly achieve the benefits of LED lighting, it is the perfect 1:1 replacement, no additional lighting calculation is needed prior to the LED lighting installation. The luminaire simply fits into all different indoor applications. Moreover, it is available in both standalone and through-wiring versions, which makes the luminaires ready-to-connect at a later stage.

### Product data

General Information		Flammability mark	F [ For mounting on normally flammable surfaces]
Beam angle of light source	116 °	CE mark	CE mark
Lamp colour code	840 neutral white	ENEC mark	-
Light source replaceable	No	Warranty period	5 years
Number of gear units	1 unit	Remarks	*-Per Lighting Europe guidance paper "Evaluating performance of LED based luminaires - January 2018": statistically there is no relevant difference in lumen maintenance between B50 and for example B10. Therefore the median useful life (B50) value also represents the B10 value.
Driver/power unit/transformer	PSU [ Power supply unit]	Constant light output	No
Driver included	Yes	Number of products on MCB	24
Optic type	WB [ Wide beam]		
Luminaire light beam spread	100°		
Connection	CU5 [ Connection unit 5-pole]		
Cable	-		
Protection class IEC	Safety class I (I)		
Glow-wire test	850/30 [ Temperature 850 °C, duration 30 s]		

## FastSet, Surface-Mounted

EU RoHS compliant	Yes
Unified glare rating CEN	22

### Operating and Electrical

Input voltage	220-240 V
Input frequency	50 to 60 Hz
Initial CLO power consumption	- W
Average CLO power consumption	- W
Inrush current	8 A
Inrush time	0.06 ms
Power factor (min.)	0.9

### Controls and Dimming

Dimmable	No
----------	----

### Mechanical and Housing

Housing material	Metal
Reflector material	-
Optic material	Polycarbonate
Optical cover/lens material	Polycarbonate
Fixation material	Steel
Optical cover/lens finish	Opal
Overall length	1440 mm
Overall width	160 mm
Overall height	61 mm
Colour	White
Dimensions (height x width x depth)	61 x 160 x 1440 mm (2.4 x 6.3 x 56.7 in)

### Approval and Application

Ingress protection code	IP44 [ Wire-protected, splash-proof]
Mech. impact protection code	IK03 [ 0.3 J]

### Initial Performance (IEC Compliant)

Initial luminous flux	3700 lm
-----------------------	---------

Luminous flux tolerance	+/-10%
Initial LED luminaire efficacy	106 lm/W
Lamp colour temperature	4000 K
Colour Rendering Index	≥80
Initial chromaticity	(0.3828, 0.3803) 5SDCM
Initial input power	35 W
Power consumption tolerance	+/-10%

### Over Time Performance (IEC Compliant)

Control gear failure rate at median useful life 50,000 h	5 %
Lumen maintenance at median useful life* 50,000 h	L80

### Application Conditions

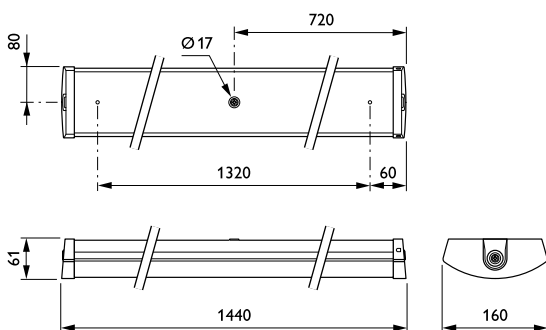
Ambient temperature range	0 to +35 °C
Performance ambient temperature Tq	25 °C
Maximum dimming level	Not applicable
Suitable for random switching	Not applicable

### Product Data

Full product code	871869938493799
Order product name	SM150C LED37S/840 PSU TW3 P15 L1440
EAN/UPC – product	8718699384937
Order code	912401483144
Numerator – quantity per pack	1
Numerator – packs per outer box	4
Material no. (12NC)	912401483144
Net weight (piece)	2.990 kg



## Dimensional drawing



FastSet SM150C

## FastSet, Surface-Mounted

