



GreenSpace

DN470T LED20S/830 PSED D22H16 5C6 BK

LED Module, system flux 2000 lm - 830 warm white - Power supply unit with DALI interface - - - - Connection unit 5-pole - Finger-protected - Black RAL 9004 - 217 mm

Customers want to strike the ideal balance between their initial investment and the cost of the installation during its lifetime. GreenSpace is a cost-efficient and sustainable downlight that can be used to replace conventional CFL downlights in general lighting applications. It features the latest LED technology, which enables extremely low power consumption, while delivering consistent light output, stable color performance and high color rendering. The product's long lifetime makes it a true 'fit and forget' solution.

Product data

General Information		Protection class IEC	
Number of light sources	1 [1 pc]	Protection class IEC	Safety class II
Lamp family code	LED20S [LED Module, system flux 2000 lm]	Glow-wire test	Temperature 650 °C, duration 5 s
Light source colour	830 warm white	Flammability mark	F [For mounting on normally flammable surfaces]
Cap base	- [-]	CE mark	CE mark
Light source replaceable	No	Warranty period	5 years
Number of gear units	1 unit	Constant light output	No
Driver/power unit/transformer	PSD [Power supply unit with DALI interface]	Number of products on MCB	24
Driver included	Yes	Accessory PFC	false
Optic type	No [-]	Unified glare rating CEN	22
Luminaire light beam spread	88°	Operating and Electrical	
Emergency lighting	No [-]	Input voltage	220 to 240 V
Control interface	DALI	Input frequency	50 to 60 Hz
Connection	Connection unit 5-pole	Control signal voltage	0-16 V DC DALI
Cable	-		

Inrush current	20.4 A
Inrush time	0.195 ms
Power factor (min.)	0.90

Controls and Dimming

Dimmable	Yes
----------	-----

Mechanical and Housing

Housing material	Plastic
Optic material	-
Fixation material	-
Optical cover/lens finish	-
Overall height	208 mm
Overall diameter	218 mm
Diameter	217 mm
Colour	Black RAL 9004
Dimensions (height x width x depth)	208 x NaN x NaN mm (8.2 x NaN x NaN in)

Approval and Application

Ingress protection code	IP20 [Finger-protected]
Mech. impact protection code	IK02 [0.2 J standard]

Initial Performance (IEC Compliant)

Initial luminous flux	2100 lm
Luminous flux tolerance	+/-10%
Initial LED luminaire efficacy	110 lm/W
Init. Corr. colour temperature	3000 K
Init. colour rendering index	>80

Initial chromaticity	(0.43, 0.40) SDCM<3.5
Initial input power	19.2 W
Power consumption tolerance	+/-10%

Over Time Performance (IEC Compliant)

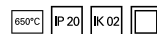
Control gear failure rate at median useful life 50,000 h	5 %
Lumen maintenance at median useful life* 50,000 h	L80

Application Conditions

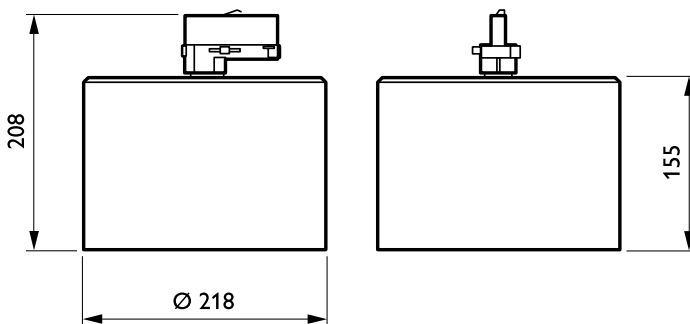
Ambient temperature range	+10 to +40 °C
Performance ambient temperature Tq	25 °C
Maximum dimming level	1%
Suitable for random switching	Not applicable

Product Data

Full product code	871869938949900
Order product name	DN470T LED20S/830 PSED D22H16 5C6 BK
EAN/UPC – product	8718699389499
Order code	38949900
Numerator – quantity per pack	1
Numerator – packs per outer box	1
Material no. (12NC)	912500100269
Net weight (piece)	1.300 kg



Dimensional drawing



GreenSpace gen2 DN460B-DN473B

