



HID ignitors for series systems

SUD 40-S 220-240V 50/60HZ

HID ignitors for series systems

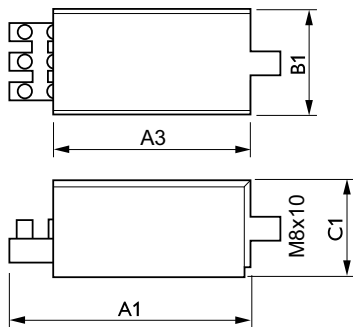
Product data

General Information	
Application code	40-S
Lamp type	SON/MH/CDM/CDO
Number of lamps	1 piece/unit
Operating and Electrical	
Input voltage	220 to 240 V
Input frequency	50 to 60 Hz
Ignition voltage (max.)	5 kV
Ignition voltage (min.)	4 kV
Power losses (nom.)	1 W
Wiring	
Ballast contact wire cross section	4 mm ²
System characteristics	
Rated ballast-lamp power	150/250/400 W

Temperature	
T ambient (max.)	70 °C
T ambient (min.)	-30 °C
T-Case maximum (max.)	105 °C
Product Data	
Full product code	871150093035430
Order product name	SUD 40-S 220-240V 50/60Hz
EAN/UPC – product	8711500930354
Order code	93035430
Local Code	SUD40S
Numerator – quantity per pack	1
Numerator – packs per outer box	30
Material no. (12NC)	913700193591
Net weight (piece)	0.156 kg

HID ignitors for series systems

Dimensional drawing



SUD 40-S 220-240V 50/60Hz

Product	C1	A1	A3	B1
SUD 40-S 220-240V 50/60Hz	32 mm	78 mm	62 mm	36 mm

