

HID-Basic BSX for SOX

BSX 35/55 L82 240V 50Hz BC0-196

Impregnated electromagnetic copper/iron ballasts for use with an external ignitor for SOX and SOX-E lamps

Product data

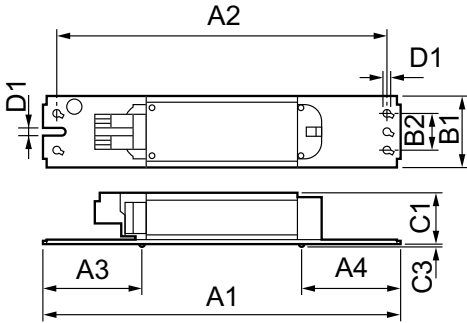
General Information	
Application code	L82
Design	BC0-196
Lamp type	SOX
Number of lamps	1 piece/unit
Operating and Electrical	
Input voltage	240 V
Input frequency	50 Hz
Mains voltage performance (AC)	-8% - +6%
Mains voltage safety (AC)	-10% - +10%
Input current with PF correction	0.22 A
Input current without PF Correction	0.60 A
Power factor without PF compensation (nom.)	0.35
Power losses (nom.)	12.0 W
Wiring	
Wire strip length	7.0 mm
Ballast contact wire cross section	0.70-1.50 mm ²
Connector type	Insert

System characteristics	
Capacitor	5.7µF/450V
Rated ballast-lamp power	35/55
Recommended ignitor	ignitor SX72 (913654059066)
Temperature	
T storage (max.)	80 °C
T storage (min.)	-25 °C
T winding (max.)	130 °C
Delta-T normal conditions	65 °C
Approval and Application	
Approval marks	CE marking ENEC certificate
Product Data	
Full product code	871150092053930
Order product name	BSX 35/55 L82 240V 50Hz BC0-196
EAN/UPC – product	8711500920539
Order code	92053930
Local Code	BSX3555L82
Numerator – quantity per pack	1
Numerator – packs per outer box	24

HID-Basic BSX for SOX

Material no. (12NC)	913700200926
Net weight (piece)	0.925 kg

Dimensional drawing



BSX 35/55 L82 240V 50Hz BCO-196

Product	D1	C1	C3	A1	A2	A3	A4	B1	B2
BSX 35/55	4.2	28.0	1.5	196.0	180.0	54.0	54.0	39.0	20.0
L82 240V	mm	mm	mm	mm	mm	mm	mm	mm	mm
50Hz									
BCO-196									

