

HID-HeavyDuty BSN semi-parallel for SON/CDO/MH/HPI

BSN 400 L33-TS 230V 50Hz HD3-166

Encapsulated electromagnetic copper/iron ballasts for use with an external semi-parallel ignitor for CDM, CDO, MH, HPI (Plus) and SON lamps

Product data

General Information	
Application code	L33-A2-TS
Design	HD3-166
Lamp type	SON/HPI
Number of lamps	1 piece/unit
Operating and Electrical	
Input voltage	230 V
Input frequency	50 Hz
Power factor 100% load (nom.)	0.87
Mains voltage performance (AC)	-8% - +6%
Mains voltage safety (AC)	-10% - +10%
Input current with PF correction	2.20 A
Input current without PF Correction	4.45 A
Power factor without PF compensation (nom.)	0.40
Power losses (nom.)	28.0 W
Wiring	
Wire strip length	7.0 mm
Ballast contact wire cross section	0.70-6.00 mm ²

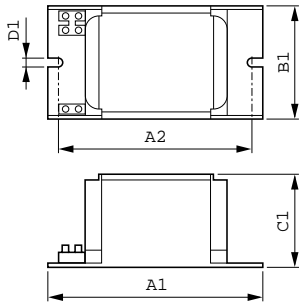
Connector type	Screw
System characteristics	
Capacitor	45µF/250V
Rated ballast-lamp power	400 W
Recommended ignitor	for SON/CDO lamps SND 58 (913700185166)
Temperature	
T storage (max.)	130 °C
T storage (min.)	-30 °C
T winding (max.)	130 °C
Delta-T normal conditions	70 °C
Approval and Application	
Active temperature protection	Yes
Approval marks	CE marking ENEC certificate
Product Data	
Full product code	871150005976530

HID-HeavyDuty BSN semi-parallel for SON/CDO/MH/HPI

Order product name	BSN 400 L33-A2-TS 230V 50Hz HD3-166
EAN/UPC – product	8711500059765
Order code	05976530
Numerator – quantity per pack	1

Numerator – packs per outer box	4
Material no. (12NC)	913700226926
Net weight (piece)	4.550 kg

Dimensional drawing



Product	D1	C1	A1	A2	B1
BSN 400 L33-A2-TS 230V 50Hz HD3-166	6.2 mm	84.0 mm	166.0 mm	147.5 mm	102.0 mm

BSN 400 L33-TS 230V 50Hz HD3-166

