



# HID-Basic BSN/BMH MK4 semi-parallel for SON/CDO/CDM/MH/ HPI

## BSN 400 K407-ITS 230/240V 50Hz BC3-166

Impregnated electromagnetic copper ballasts for use with an external semi-parallel ignitor for CDM, CDO, MH, HPI (Plus) and SON lamps

### Product data

General Information	
Application code	K407-A2-ITS
Design	BC3-166
Lamp type	SON/HPI
Number of lamps	1 piece/unit
Operating and Electrical	
Input voltage	230 V (default) or 240 V
Input frequency	50 Hz
Power factor 100% load (nom.)	0.85
Mains voltage performance (AC)	-8%~+6%
Mains voltage safety (AC)	-10%~+10%
Input current with PF correction	2.20 A
Input current without PF Correction	4.45 A
Power factor without PF compensation (nom.)	0.40

Power losses (nom.)	33/34.5 W
---------------------	-----------

Wiring	
Wire strip length	7.0 mm
Ballast contact wire cross section	1.50-4.00 mm <sup>2</sup>
Connector type	Screw

System characteristics	
Capacitor	45µF/250V
Rated ballast-lamp power	400 W
Recommended ignitor	for SON/CDO/CDM lamps ignitor SKD 578 (913700655366) or series digital SUD40 (913700193591)

Temperature	
T storage (max.)	130 °C
T storage (min.)	-30 °C

## HID-Basic BSN/BMH MK4 semi-parallel for SON/CDO/CDM/MH/HPI

T winding (max.)	130 °C
Delta-T normal conditions	80 °C

### Approval and Application

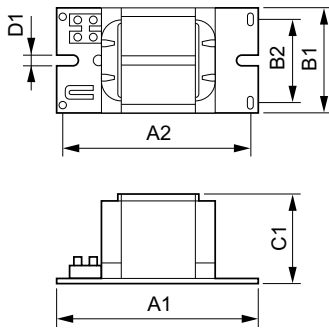
Active temperature protection	Yes
Approval marks	CE marking ENEC certificate

### Product Data

Full product code	872790088704400
Order product name	BSN 400 K407-A2-ITS 230/240V 50Hz BC3

EAN/UPC – product	8711500881571
Order code	88704400
Numerator – quantity per pack	1
Numerator – packs per outer box	2
Material no. (12NC)	913700277826
Net weight (piece)	4.950 kg

### Dimensional drawing



BSN 400 K407-ITS 230/240V 50Hz BC3-166

### Product

BSN 400 K407-A2-ITS 230/240V 50Hz BC3

