



ActiLume Wireless

LLC1681/10 ActiLume Wireless 1-10V SB

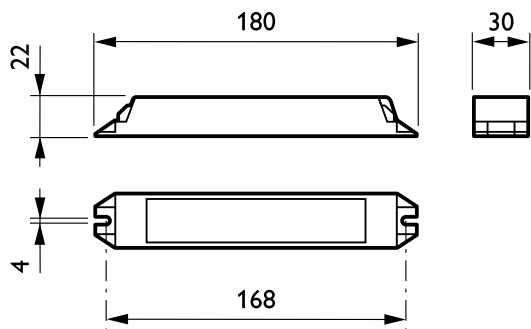
The ActiLume Wireless 1-10 V system can work together with OccuSwitch Wireless devices. Wireless luminaires with the ActiLume Wireless 1-10 V system share occupancy information and switch off when all sensors detect no presence. The ActiLume 1-10 V sensor offers daylight savings to the connected wireless Switch Boxes. This daylight regulation is not shared over the wireless network. Within a wireless network it is possible to create various zones with wireless devices. Scenes can be created across these zones, and these can then be recalled using the wireless remote control.

Product data

General Information		Local Code	
Design	ActiLume Wireless 1-10V SwitchBox	Local Code	LLC168100AW
Product Data		Numerator – quantity per pack	1
Full product code	871829124593300	Numerator – packs per outer box	12
Order product name	LLC1681/10 ActiLume Wireless 1-10V SB	Material no. (12NC)	913700348603
EAN/UPC – product	8718291245933	Net weight (piece)	0.070 kg
Order code	24593300		

ActiLume Wireless

Dimensional drawing



Product

LLC1681/10 ActiLume Wireless 1-10V SB

LLC1681/10 ActiLume Wireless 1-10V SB

