



ActiLume Wireless

LLC1681/10 ActiLume Wireless 1-10V SB

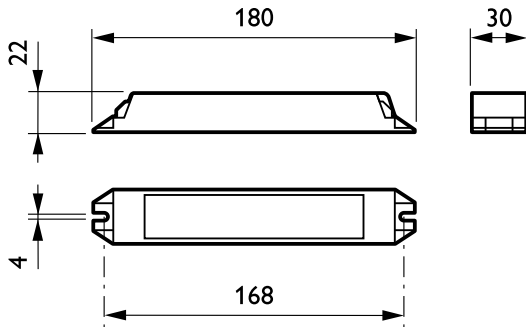
The ActiLume Wireless 1-10 V system can work together with OccuSwitch Wireless devices. Wireless luminaires with the ActiLume Wireless 1-10 V system share occupancy information and switch off when all sensors detect no presence. The ActiLume 1-10 V sensor offers daylight savings to the connected wireless Switch Boxes. This daylight regulation is not shared over the wireless network. Within a wireless network it is possible to create various zones with wireless devices. Scenes can be created across these zones, and these can then be recalled using the wireless remote control.

Product data

General Information		Order code	
Design	ActiLume Wireless 1-10V SwitchBox	Order code	913700348603
		Numerator – quantity per pack	1
		Numerator – packs per outer box	12
Product Data		Material no. (12NC)	913700348603
Full product code	871829124593300	Net weight (piece)	0.070 kg
Order product name	LLC1681/10 ActiLume Wireless 1-10V SB		
EAN/UPC – product	8718291245933		

ActiLume Wireless

Dimensional drawing



Product

LLC1681/10 ActiLume Wireless 1-10V SB

LLC1681/10 ActiLume Wireless 1-10V SB

