



HF-Matchbox Blue

HF-M BLUE 124 LH TL/TL5/PL-L 230-240V

HF-Matchbox Blue is an affordable, reliable, compact, lightweight and high-frequency ballast for use with system wattages below 25 W in combination with TL mini, TL-D, TL5 and TL5c, PL-T/C, and PL-L/S lamps. The HF-M Blue range has a robust design, meets all relevant international safety and performance standards and has an energy efficiency index (CELMA EEI) of A2.

Product data

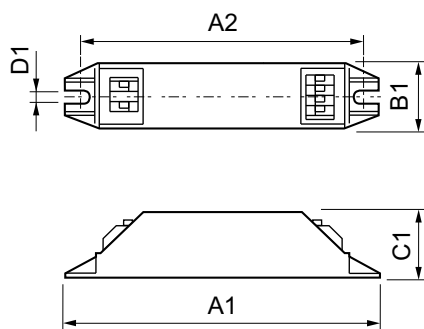
General Information		Cable length hot-wiring	
Lamp type	TL/TL5/PL-L		0.30 m
Number of lamps	1 piece/unit	Wire strip length	8.0-9.0 mm
Number of products on MCB (16 A type B) (nom.)	60	Input terminal cross section	0.50-1.50 mm ²
Automatic restart	Yes	Output terminal cross section	0.50-1.50 mm ²
Operating and Electrical		System characteristics	
Input voltage	230 to 240 V	Rated ballast-lamp power	24 W
Input frequency	50 to 60 Hz	Temperature	
Power factor 100% load (nom.)	0.64	T ambient (max.)	40 °C
Ignition time (max.)	0.5 s	T ambient (min.)	-10 °C
Mains voltage performance (AC)	-8%~+6%	T-Case maximum (max.)	75 °C
Mains voltage safety (AC)	-10%~+10%	Mechanical and Housing	
Power losses (nom.)	1.8-2.1 W	Housing	LH
Wiring		Emergency Operation	
Connector type input terminals	Insert	Battery voltage lamp ignition	194-254 V
Colour input terminals	Orange	Approval and Application	
Colour output terminals	Grey	IP classification	IP 20 [Ingress Protection 20]
Connector type output terminals	Insert		
Cable length from device to lamp	1.50 m		

HF-Matchbox Blue

Approval marks	F-Marking CE marking VDE certificate CB Certificate
Product Data	
Full product code	871150053640230
Order product name	HF-M BLUE 124 LH TL/TL5/PL-L 230-240V
EAN/UPC – product	8711500536402

Order code	53640230
Numerator – quantity per pack	1
Numerator – packs per outer box	50
Material no. (12NC)	913700418066
Net weight (piece)	0.045 kg

Dimensional drawing



HF-M BLUE 124 LH TL/TL5/PL-L 230-240V

Product

HF-M BLUE 124 LH TL/TL5/PL-L 230-240V

