



Primaline Halogen Transformers

PRIMALINE 150 230-240V 50/60HZ

High-Frequency electronic transformer for operation with 12V halogen lamps, available in 70W, 105W and 150W versions

Product data

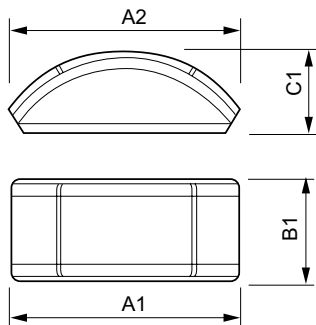
General Information	
Type version	mk2
Lamp type	LV Halogen
Number of lamps	3 piece/unit
Operating and Electrical	
Input voltage	230 to 240 V
Input frequency	50 to 60 Hz
Input power (nom.)	70-150 W
System characteristics	
Rated ballast-lamp power	70-150 W
Temperature	
T case lifetime (nom.)	65 °C
T-Case maximum (max.)	80 °C

Approval and Application	
Approval marks	SELV CE marking ENEC certificate
Product Data	
Full product code	871150091270130
Order product name	Primaline 150 230-240V 50/60Hz
EAN/UPC – product	8711500912701
Order code	91270130
Local Code	PLINEHAL150
Numerator – quantity per pack	1
Numerator – packs per outer box	50
Material no. (12NC)	913700627791
Net weight (piece)	0.200 kg

Warnings and Safety

Primaline Halogen Transformers

Dimensional drawing



Product	C1	A1	B1
Primaline 150 230-240V 50/60Hz	33 mm	145 mm	51 mm

Primaline 150 230-240V 50/60Hz

