



PrimaVision for CDM Elite MW

HID-PV 315 /S CDM 220-240V 50/60Hz

Highly reliable electronic drivers for medium-wattage lamps (210-400 W); designed to save energy via integrated one-step dimming and to reduce maintenance costs thanks to 80,000-hour lifetime and integrated lightning protection

Product data

General Information	
Type version	mk1
Lamp type	CDM
Number of lamps	1 piece/unit
Suitable for outdoor use	Yes
Number of products on MCB (16 A type B) (nom.)	4
Default lamp selected	CDM315
Automatic restart	Yes
Operating and Electrical	
Input voltage	220 to 240 V
Input frequency	50 to 60 Hz
Minimum mains voltage operation (min.)	198 V
Operating frequency (nom.)	0.11 kHz
Ignition switch-off time (nom.)	30 min
Mains voltage performance (AC)	-8%~+6%
Mains voltage safety (AC)	-10%~+10%
Earth leakage current (max.)	0.5 mA
Output peak voltage (max.)	4000 V
Lamp power tolerance	-3%/+3%

Input current (nom.)	1.53 A
Wiring	
Wire strip length	10.0 mm
Ballast contact wire cross section	0.75-2.50 mm ²
Connector type	Insert
System characteristics	
Rated ballast-lamp power	315 W
Rated lamp power on CDM	315 W
System power on CDM	340.5 W
Lamp power on CDM	315.0 W
Power loss on CDM	25.5 W
Temperature	
T ambient (max.)	55 °C
T ambient (min.)	-20 °C
T storage (max.)	80 °C
T storage (min.)	-25 °C
T-Case switch off (min.)	90 °C

PrimaVision for CDM Elite MW

Controls and Dimming

Programmable lamp settings	-
Pre-set integrated controls	-
Programmable dimming options	-

Mechanical and Housing

Housing	/S
---------	----

Approval and Application

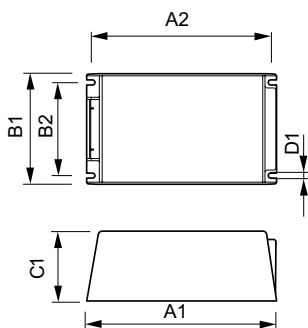
IP luminaire classification	34
Overvoltage protection 400 VAC	5 min
Active temperature protection	Yes
Safety standard	EN60928, 60926
Quality standard	ISO 9000:2000
Environmental standard	ISO 14001
Harmonic current emission standard	IEC 61000-3-2
Vibration standard	IEC 68-2-6 Fc (10-150Hz, 2G)
Bumps standard	IEC 68-2-29 Eb (10G/16ms)

Humidity standard	EN 61347-2-12 clause 11
Approval marks	CE marking ENEC certificate CB Certificate
Humming and noise level	37 dB(A)

Product Data

Full product code	872790084311800
Order product name	HID-PV 315 /S CDM 220-240V 50/60Hz
EAN/UPC – product	8711500880888
Order code	84311800
Local Code	HIDPV315SCDMMW
Numerator – quantity per pack	1
Numerator – packs per outer box	4
Material no. (12NC)	913700639466
Net weight (piece)	2.500 kg

Dimensional drawing



HID-PV 315 /S CDM 220-240V 50/60Hz

Product	D1	C1	A1	A2	B1	B2
HID-PV 315 /S CDM 220-240V 50/60Hz	4.2 mm	60.0 mm	215.0 mm	204.5 mm	128.5 mm	111.5 mm

