



PrimaVision Compact for CDM

HID-PV C 70 /S CDM 220-240V 50/60Hz

High-quality, compact and lightweight HID electronic gear for optimal and reliable performance of 20, 35, 50 and 70 W CDM lamps

Product data

| General Information | | Inrush current peak (max.) | |
|--|--------------|---|---------------------------|
| Type version | ng | | 33 A |
| Lamp type | CDM | Wiring | |
| Number of lamps | 1 piece/unit | Cable capacity output wires mutual (nom.) | 100 pF |
| Suitable for outdoor use | No | Cable length from device to lamp | 1.5 m |
| Number of products on MCB (16 A type B) (nom.) | 20 | Ballast contact wire cross section | 0.50-2.50 mm ² |
| Automatic restart | Yes | Connector type | Insert |
| Operating and Electrical | | System characteristics | |
| Input voltage | 220 to 240 V | Rated ballast-lamp power | 70 W |
| Input frequency | 50 to 60 Hz | Temperature | |
| Operating frequency (nom.) | 0.14 kHz | T ambient (max.) | 50 °C |
| Power factor 100% load (nom.) | 0.95 | T ambient (min.) | -20 °C |
| Ignition voltage (max.) | 4.0 kV | T storage (max.) | 80 °C |
| Ignition switch-off time (nom.) | 18 min | T storage (min.) | -25 °C |
| Mains voltage performance (AC) | -10%+6% | T case lifetime (nom.) | 80 °C |
| Mains voltage safety (AC) | -18%+10% | T-Case maximum (max.) | 80 °C |
| Inrush current width | 0.33 ms | Mechanical and Housing | |
| Constant wattage deviation | -3%/+3% | Housing | /S |
| Power losses (nom.) | 7.0 W | | |

PrimaVision Compact for CDM

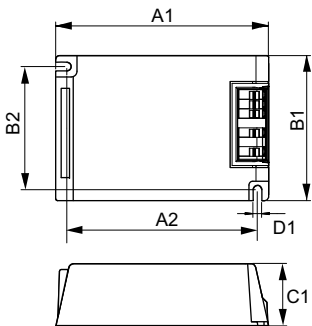
Approval and Application

| | |
|------------------------------------|-----------------------------|
| Active temperature protection | Yes |
| EMI 9 kHz... 300 MHz | CISPR 15 ed 7.2 |
| Safety standard | EN 61347-2-12 |
| Quality standard | ISO 9000:2000 |
| Environmental standard | ISO 14001 |
| Harmonic current emission standard | EN 61000-3-2 |
| EMC immunity standard | EN 61547 |
| Vibration standard | IEC68-2-6 F c |
| Bumps standard | IEC 68-2-29 Eb |
| Humidity standard | IEC 928-13 |
| Approval marks | CE marking ENEC certificate |
| Humming and noise level | 37 dB(A) |

Product Data

| | |
|---------------------------------|---|
| Full product code | 872790085974400 |
| Order product name | HID-PV C 70 /S CDM 220-240V 50/60Hz NG |
| EAN/UPC – product | 8711500881694 |
| Order code | 85974400 |
| Local Code | PVC070SCDM |
| Numerator – quantity per pack | 1 |
| Numerator – packs per outer box | 12 |
| Material no. (12NC) | 913700652966 |
| Net weight (piece) | 0.216 kg |

Dimensional drawing



HID-PV C 70 /S CDM 220-240V 50/60Hz NG

| Product | D1 | C1 | A1 | A2 | B1 | B2 |
|---|--------|------------|-------------|------------|------------|------------|
| HID-PV C 70 /S CDM 220-240V 50/60Hz NG | 4.9 mm | 32.2 mm | 109.6 mm | 98.5 mm | 74.4 mm | 63.7 mm |

