



# PrimaVision Compact for CDM

## HID-PV C 50 /I CDM 220-240V 50/60Hz

High-quality, compact and lightweight HID electronic gear for optimal and reliable performance of 20, 35, 50 and 70 W CDM lamps

### Product data

General Information	
Lamp type	CDM
Number of lamps	1 piece/unit
Suitable for outdoor use	No
Number of products on MCB (16 A type B) (nom.)	24
Automatic restart	Yes
Operating and Electrical	
Input voltage	220 to 240 V
Input frequency	50 to 60 Hz
Operating frequency (nom.)	0.14 kHz
Power factor 100% load (nom.)	0.95
Ignition voltage (max.)	4.0 kV
Ignition switch-off time (nom.)	18 min
Mains voltage performance (AC)	-10%/+6%
Mains voltage safety (AC)	-18%/+10%
Earth leakage current (max.)	0.25 mA
Inrush current width	0.25 ms
Constant wattage deviation	-3%/+3%
Power losses (nom.)	6 W

Inrush current peak (max.)	26 A
Wiring	
Cable capacity output wires mutual (nom.)	150 pF
Cable length from device to lamp	2.0 m
Wire strip length	10.0-11.0 mm
Ballast contact wire cross section	0.50-2.50 mm <sup>2</sup>
Connector type	Insert

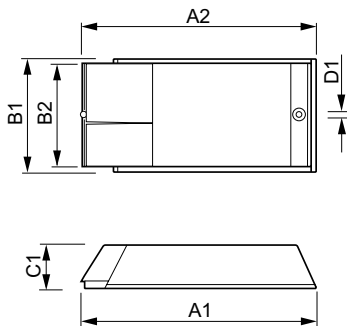
System characteristics	
Rated ballast-lamp power	50 W
Temperature	
T ambient (max.)	50 °C
T ambient (min.)	-20 °C
T storage (max.)	75 °C
T storage (min.)	-25 °C
T case lifetime (nom.)	75 °C
T-Case maximum (max.)	75 °C

## PrimaVision Compact for CDM

Mechanical and Housing	
Housing	/I
Approval and Application	
IP classification	20
Active temperature protection	Yes
EMI 9 kHz... 300 MHz	CISPR 15 ed 7.2
Safety standard	IEC 61347-2-3
Quality standard	ISO 9000:2000
Environmental standard	ISO 14001
Harmonic current emission standard	IEC 61000-3-2
EMC immunity standard	IEC 61547
Vibration standard	IEC68-2-6 F c
Bumps standard	IEC 68-2-29 Eb
Humidity standard	IEC 928-13
Approval marks	CE marking ENEC certificate

Temperature marking	F
Humming and noise level	37 dB(A)
Product Data	
Full product code	872790093365900
Order product name	HID-PV C 50 /I CDM 220-240V 50/60Hz
EAN/UPC – product	8727900933659
Order code	93365900
Numerator – quantity per pack	1
Numerator – packs per outer box	12
Material no. (12NC)	913700665166
Net weight (piece)	0.360 kg

### Dimensional drawing



HID-PV C 50 /I CDM 220-240V 50/60Hz

Product	D1	C1	A1	A2	B1
HID-PV C 50 /I CDM 220-240V 50/60Hz	4.8 mm	34.5 mm	188.0 mm	170.0 mm	82.7 mm

