



DynaVision Programmable Xtreme for SON

HID-DV PROG Xt 70 SON C1 208-277V

Highly reliable and flexible electronic drivers for SON lamps; designed to save energy via integrated controls, and to reduce maintenance costs thanks to 80,000-hour lifetime and integrated lightning protection. The DynaVision Programmable product family is the perfect basis for any sort of lighting management solution.

Product data

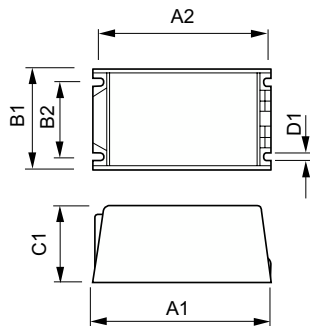
Operating and Electrical		T-case lifetime (nom.)	
Input Voltage	208-240-277 V	80 °C	
Line Frequency	50 to 60 Hz	Controls and Dimming	
Input frequency	50 to 60 Hz	Control interface	PROG
Earth leakage current (max.)	0.7 mA	Mechanical and Housing	
Inrush current width	0.24 ms	Housing	C1
Input current (nom.)	0.39 A	Approval and Application	
Inrush current peak (max.)	28 A	Surge Protection (Common/Differential)	EN61547 (L-L 2 kV, L-G 4 kV), 10 kV TIL
Number of products on MCB (16 A type B) (nom.)	11	Safety standard	IEC 607, 609, 926, 928 [No Standard for HID Lamp drivers exists. Requirements in these standards to be used if considered relevant for the product.]
Wiring		Environmental standard	ISO 14001
Cable length from device to lamp	10 m	Approval marks	F-Marking CE marking VDE-EMV certificate ENEC certificate
Connector type	WAGO series 804		
Temperature			
Ambient temperature range	-30°C to 50°C		

DynaVision Programmable Xtreme for SON

Product Data	
Order product name	HID-DV PROG Xt 70 SON C1 208-277V
Full product name	HID-DV PROG Xt 70 SON C1 208-277V
Full EOC	871829121222500
Order code	21222500
Material no. (12 NC)	913700678666
Local order code	DVPROGXT70SON

SAP numerator – quantity per pack	1
EAN/UPC – Product/Case	8718291212225
Numerator – packs per outer box	12
EAN/UPC - Case	8718291212232

Dimensional drawing



Product	D1	C1	A1	A2	B1	B2
HID-DV PROG Xt 70 SON C1 208-277V	5.0 mm	65.0 mm	150.0 mm	135.9 mm	65.0 mm	46.8 mm

