



DynaVision Programmable Xtreme for CDO

HID-DV PROG Xt 250 CDO C2 208-277V

Highly reliable and flexible electronic drivers for CDO lamps; designed to save on energy costs via integrated controls and to reduce maintenance costs thanks to 80,000 hour lifetime and integrated lightning protection. The DynaVision Programmable product family is the perfect basis for any sort of lighting management solution.

Product data

General Information		Mains voltage performance (AC)	
Type version	-	Mains voltage safety (AC)	188-305V
Lamp type	CDO	Power factor 50% load (min.)	0.98
Number of lamps	1 piece/unit	Earth leakage current (max.)	0.7 mA
Number of products on MCB (16 A type B) (nom.)	11	Output peak voltage (max.)	250 V
Default lamp selected	CDO250	Inrush current width	4 ms
Automatic restart	Yes	Standby power consumption (max.)	0.8 W
Operating and Electrical		Lamp power tolerance	-3%/+3%
Input voltage	208-240-277 V	Input current (nom.)	1.32 A
Input frequency	50 to 60 Hz	Inrush current peak (nom.)	4 A
Minimum mains voltage operation (min.)	172 V	Wiring	
Operating frequency (nom.)	0.20 kHz	Cable capacity output wires mutual (nom.)	300 pF
Power factor 100% load (nom.)	0.99	Cable length from device to lamp	3 m
Ignition voltage (max.)	5 kV	Wire strip length	10.0-11.0 mm
Ignition switch-off time (max.)	20 min	Ballast contact wire cross section	0.50-2.50 mm ²

DynaVision Programmable Xtreme for CDO

Connector type	WAGO series 804
----------------	-----------------

System characteristics

Rated ballast-lamp power	250 W
Rated lamp power on CDO	250 W
System power on CDO	272 W
Lamp power on CDO	250 W
Power loss on CDO	22 W
Power loss on CDO while dimming	12 W

Temperature

T ambient (max.)	50 °C
T ambient (min.)	-30 °C
T storage (max.)	50 °C
T storage (min.)	-30 °C
T case lifetime (nom.)	80 °C
T-Case switch off (min.)	92 °C

Controls and Dimming

Control interface	PROG
Programmable lamp settings	SON250/CDO250/CDMe210
Pre-set integrated controls	Dali
Programmable dimming options	ALO/CLO/Dynadim/Lineswitch/AmpDim
Run-up time before dimming	5 min
Fade-down rate	0.54 %/sec
Fade-up rate	8.33 %/sec
Regulating level	50%-100%

Mechanical and Housing

Housing	C2
---------	----

Approval and Application

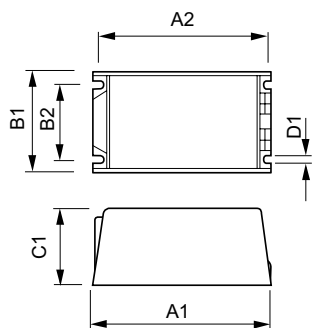
Surge protection (common/differential)	EN61547 (L-L 2kV, L-G 4kV), 10kV TIL kV
--	---

IP luminaire classification	34
Active temperature protection	Yes
EMI 9 kHz... 300 MHz	CISPR 15 ed 7.2
EMI 30 MHz... 1,000 MHz	-
Safety standard	IEC 607, 609, 926, 928 [No Standard for HID Lamp drivers exists. Requirements in these standards to be used if considered relevant for the product.]
Quality standard	ISO 9000:2000
Environmental standard	ISO 14001
Harmonic current emission standard	IEC 61000-3-2
Vibration standard	IEC 68-2-6 Fc (10-150Hz, 5G)
Bumps standard	IEC 68-2-29 Eb (10G/16ms)
Humidity standard	EN 61347-2-12 clause 11
Approval marks	F-Marking CE marking ENEC certificate VDE-EMV certificate
Humming and noise level	< 30 dB(A)

Product Data

Full product code	871829122261300
Order product name	HID-DV PROG Xt 250 CDO C2 208-277V
EAN/UPC – product	8718291222613
Order code	22261300
Local Code	DVPROGXT250CDO
Numerator – quantity per pack	1
Numerator – packs per outer box	6
Material no. (12NC)	913700679666
Net weight (piece)	1.420 kg

Dimensional drawing



HID-DV PROG Xt 250 CDO C2 208-277V

Product	D1	C1	A1	A2	B1	B2
HID-DV PROG Xt 250	4.8 mm	58.0	169.0	156.0	100.0	81.5
CDO C2 208-277V		mm	mm	mm	mm	mm

DynaVision Programmable Xtreme for CDO

