

PHILIPS

Lighting



DynaVision Programmable Xtreme for CDO

HID-DV PROG Xt 150 CDO Q 208-277V

Highly reliable and flexible electronic drivers for CDO lamps; designed to save on energy costs via integrated controls and to reduce maintenance costs thanks to 80,000 hour lifetime and integrated lightning protection. The DynaVision Programmable product family is the perfect basis for any sort of lighting management solution.

Product data

General Information			
Type version	-	Mains voltage performance (AC)	188-305V
Lamp type	CDO	Mains voltage safety (AC)	160-305V
Number of lamps	1 piece/unit	Power factor 50% load (min.)	0.98
Number of products on MCB (16 A type B) (nom.)	5	Earth leakage current (max.)	0.7 mA
Default lamp selected	CDO150	Output peak voltage (max.)	250 V
Automatic restart	Yes	Inrush current width	0.47 ms
		Standby power consumption (max.)	0.8 W
Operating and Electrical		Lamp power tolerance	-3%/+3%
Input voltage	208-240-277 V	Input current (nom.)	0.77 A
Input frequency	50 to 60 Hz	Inrush current peak (nom.)	52 A
Minimum mains voltage operation (min.)	172 V	Wiring	
Operating frequency (nom.)	0.40 kHz	Cable capacity output wires mutual (nom.)	1000 pF
Power factor 100% load (nom.)	0.99	Cable length from device to lamp	10 m
Ignition voltage (max.)	5 kV	Wire strip length	10.0-11.0 mm
Ignition switch-off time (max.)	20 min	Ballast contact wire cross section	0.50-2.50 mm ²

DynaVision Programmable Xtreme for CDO

Connector type	WAGO series 804
----------------	-----------------

System characteristics

Rated ballast-lamp power	150 W
Rated lamp power on CDO	150 W
System power on CDO	160 W
Lamp power on CDO	147 W
Power loss on CDO	13 W
Power loss on CDO while dimming	7.5 W

Temperature

T ambient (max.)	55 °C
T ambient (min.)	-30 °C
T storage (max.)	55 °C
T storage (min.)	-30 °C
T case lifetime (nom.)	80 °C
T-Case switch off (min.)	92 °C

Controls and Dimming

Control interface	PROG
Programmable lamp settings	CPO140/SON150/CDO150
Pre-set integrated controls	Dali
Programmable dimming options	ALO/CLO/Dynadim/Lineswitch/AmpDim
Run-up time before dimming	10 min
Fade-down rate	0.5 %/sec
Fade-up rate	6.3 %/sec
Regulating level	50%-100%

Mechanical and Housing

Housing	Q
---------	---

Approval and Application

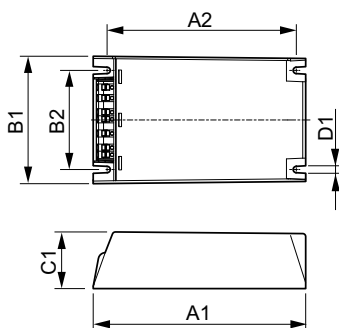
Surge protection (common/differential)	EN61547 (L-L 2kV, L-G 4kV), 10kV TIL kV
--	---

IP luminaire classification	34
Active temperature protection	Yes
EMI 9 kHz... 300 MHz	CISPR 15 ed 7.2
EMI 30 MHz... 1,000 MHz	-
Safety standard	IEC 607, 609, 926, 928 [No Standard for HID Lamp drivers exists. Requirements in these standards to be used if considered relevant for the product.]
Quality standard	ISO 9000:2000
Environmental standard	ISO 14001
Harmonic current emission standard	IEC 61000-3-2
Vibration standard	IEC 68-2-6 Fc (10-150Hz, 2G)
Bumps standard	IEC 68-2-29 Eb (10G/16ms)
Humidity standard	EN 61347-2-12 clause 11
Approval marks	F-Marking CE marking ENEC certificate VDE-EMV certificate
Humming and noise level	< 30 dB(A)

Product Data

Full product code	871829166922700
Order product name	HID-DV PROG Xt 150 CDO Q 208-277V
EAN/UPC – product	8718291669227
Order code	66922700
Local Code	DVPROGXT150CDOQ
Numerator – quantity per pack	1
Numerator – packs per outer box	12
Material no. (12NC)	913700693266
Net weight (piece)	0.820 kg

Dimensional drawing



HID-DV PROG Xt 150 CDO Q 208-277V

Product	D1	C1	A1	A2	B1	B2
HID-DV PROG Xt 150	4.5 mm	40.0	150.0	133.6	90.0	70.0
CDO Q 208-277V		mm	mm	mm	mm	mm

DynaVision Programmable Xtreme for CDO

