



SignPRO

SIGNPRO MAG ELE SIGN BAL (1-2) T12HO 2-16FT 120-277V

Philips Advance signPRO line...a brand synonymous with full-line, high-quality sign ballasts offered exclusively to the sign industry to support the market's broad range of sign applications, now adds: ...four new energy-efficient signPRO Electronic Fluorescent Sign Ballasts for T8/HO and T12/HO High Output (800mA) Lamps. Philips Advance signPRO line...a brand synonymous with full-line, high-quality sign ballasts offered exclusively to the sign industry to support the market's broad range of sign applications, now adds: ...four new energy-efficient signPRO Electronic Fluorescent Sign Ballasts for T8/HO and T12/HO High Output (800mA) Lamps.

Product data

General Information		Input Current (Operating) (Nom)	
Lamp Type	T12/HO		1.14 A
Number of Lamps	1-2 piece/unit	Input Power (Nom)	136-133 W
Lamp Footage	2 - 16 FT	Rated Lamp Watts	110 W
Ballast Type	Electronic Fluorescent	Wiring	
Base Model	ISB021612EI	Wire Striplength	0.50/0.375 mm
Suitable For Outdoor Use	Yes	Lamp Connection	Parallel
Automatic Restart	Yes	Wire Length by Color	See data sheet
Operating and Electrical		Wire Gauge (Nom)	18AWG mm
Input Voltage	120 to 277 V	Wire Type	Solid
Input Frequency	50 to 60 Hz	Remote Wiring Configuration Allowed	No
Max THD	10 %	Tandem Wiring Configuration Allowed	No
Starting Method	Instant Start	Through Wiring Configuration Allowed	Yes
Lamp Current Crest Factor (Nom)	1.7	Max Ballast-Lamp Distance Remote Wiring	No Remote
Ignition Time (Nom)	0.1 s	Max Ballast-Lamp Distance Tandem Wiring	No Tandem
Ballast Factor (Nom)	0.68	Max Ballast-Lamp Distance Through Wiring	Any = 20'
Power Factor (Nom)	0.98		

SignPRO

Mechanical and Housing

Housing Material	Metal
Housing	BL1
Housing Dimensions	9.64" x 1.69" x 1.13"

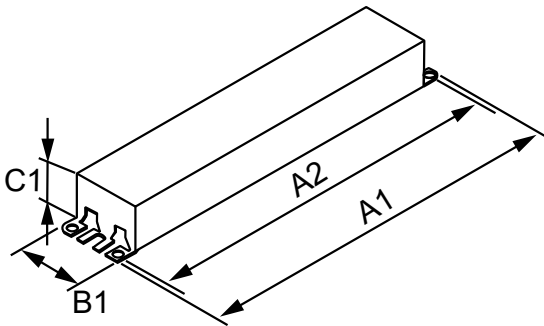
Approval and Application

EMC Immunity Standard	FCC Non-Consumer
Approbation Marks	CSA certificate UL certificate DOE RoHS Compliant
Sound Rating	A
UL Recognized	No

Product Data

Order product name	SIGNPRO MAG ELE SIGN BAL (1-2) T12HO 2-16FT 120-277V
EAN/UPC - Product	781087135778
Order code	ISB021612EI
Numerator - Quantity Per Pack	1
Numerator - Packs per outer box	10
Material Nr. (12NC)	913701262201
Net Weight (Piece)	2.709 kg

Dimensional drawing



ELE SIGN BAL (1-2) T12HO 2-16FT 120-277V

Product	A1	A2	B1	C1
SIGNPRO MAG ELE SIGN BAL (1-2) T12HO 2-16FT 120-277V	9.64 in	9 in	1.69 in	1.13 in

