



Dynalite Leading Edge Dimmers

DLE1210GL

12 channel Leading Edge dimmer with a maximum load per channel of 10 A.

The Philips Dynalite DLE1210GL is a 12 channel leading edge dimmer controller, with a maximum load per channel of 10 A and total device load of 75 A. - It is suitable for use with incandescent, neon and selected fluorescent light sources, as well as iron core and leading edge dimmable electronic transformers. - Large load capabilityDMX512 compatibilityInterference suppressionNaturally ventilatedSoft start and voltage regulation technologiesDiagnostic functionalityUser controlsOption available

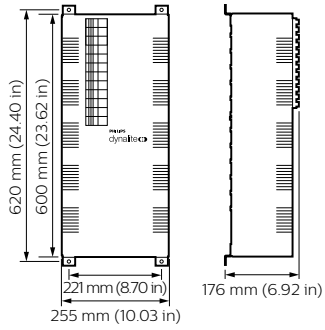
Product data

General Information	
CE mark	CE mark
Remarks	Please download the Lighting - Product Data Sheet for more information and ordering options
RoHS mark	RoHS mark
Application Conditions	
Ambient temperature range	0 to +40 °C
Product Data	
Full product code	871016350568800

Order product name	DLE1210GL
EAN/UPC - Product	8710163505688
Order code	913703014009
Numerator - Quantity Per Pack	1
Numerator - Packs per outer box	1
Material Nr. (12NC)	913703014009
Net Weight (Piece)	16.000 kg

Dynalite Leading Edge Dimmers

Dimensional drawing



Dynalite Leading Edge Dimmers

