



# Dynalite Phase-Cut Dimmers

## DLE1210GL

12 channel Leading Edge dimmer with a maximum load per channel of 10 A.

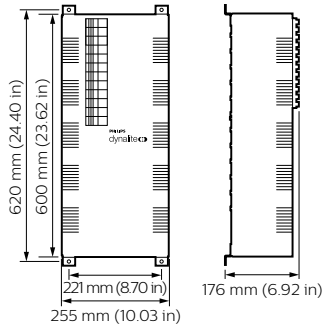
The Philips Dynalite DLE1210GL is a 12 channel leading edge dimmer controller, with a maximum load per channel of 10 A and total device load of 75 A. - It is suitable for use with incandescent, neon and selected fluorescent light sources, as well as iron core and leading edge dimmable electronic transformers. - Large load capability DMX512 compatibility Interference suppression Naturally ventilated Soft start and voltage regulation technologies Diagnostic functionality User controls Option available

### Product data

General Information		Order product name	DLE1210GL
CE mark	CE mark	EAN/UPC - Product	8710163505688
Remarks	Please download the Lighting - Product Data Sheet for more information and ordering options	Order code	913703014009
EU RoHS compliant	Yes	Numerator - Quantity Per Pack	1
		Numerator - Packs per outer box	1
		Material Nr. (12NC)	913703014009
		Net Weight (Piece)	16.000 kg
Application Conditions			
Ambient temperature range	0 to +40 °C		
Product Data			
Full product code	871016350568800		

# Dynalite Phase-Cut Dimmers

## Dimensional drawing



Dynalite Leading Edge Dimmers

