



Dynalite Sensors

DUS90WHB-DALI

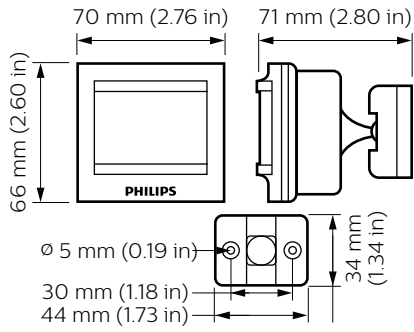
The Philips Dynalite sensor range combines motion detection, light level detection and IR receive in one unit. Each of these features can be operated at the same time, allowing automation scenarios such as turning on the lights after detecting motion and then dimming the lighting level once the available sunlight has been measured, thereby providing additional energy savings. By combining each of these functions into one device, operational efficiency is improved. Each sensor has an in-built microprocessor, allowing logical functions to control one small room, the floor of a building, or an entire building. All sensors receive their power from the DyNet network, and as they are fully remotely programmable, they can be configured to automate and control a virtually unlimited number of controlled outputs.

Product data

General Information		Order product name	
CE mark	CE mark	DUS90WHB-DALI	
Remarks	Please download the Lighting - Product Data Sheet for more information and ordering options	EAN/UPC - Product	8718696005118
EU RoHS compliant	Yes	Order code	913703015509
Application Conditions		Numerator - Quantity Per Pack	1
Ambient temperature range	-5 to +50 °C	Numerator - Packs per outer box	1
Product Data		Material Nr. (12NC)	913703015509
Full product code	871869600511800	Net Weight (Piece)	75.000 g

Dynalite Sensors

Dimensional drawing



DUS90-WHB-DALI

