



Dynalite Leading Edge Dimmers

DTE1210

12 channel Trailing Edge Dimmer Controller with a maximum load per channel of 10 A.

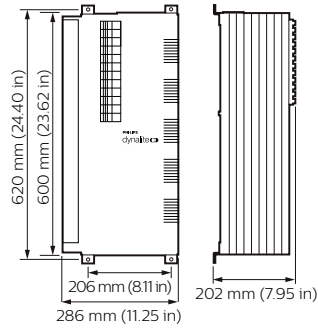
The Philips Dynalite DTE1210 trailing-edge dimmer controller features 12 channels, with a maximum load per channel of 10 A and a total box load of 120 A. The trailing-edge output makes the device suitable for control of both trailing- and leading-edge electronic transformers, as well as incandescent lamps and track lighting. Operates from a three-phase supply Voltage regulation and soft start technologies Naturally ventilated Interface to other devices Internal controls Options available

Product data

General Information		Order product name	DTE1210
CE mark	CE mark	EAN/UPC – product	8710163505862
Remarks	Please download the Lighting - Product Data Sheet for more information and ordering options	Order code	50586200
EU RoHS compliant	Yes	Numerator – quantity per pack	1
		Numerator – packs per outer box	1
Application Conditions		Material no. (12NC)	913703022009
Ambient temperature range	0 to +40 °C	Net weight (piece)	16.000 kg
Product Data			
Full product code	871016350586200		

Dynalite Leading Edge Dimmers

Dimensional drawing



Dynalite Trailing Edge Dimmers

Dynalite Trailing Edge Dimmers

