



# Dynalite Leading Edge Dimmers

## DTE1210

12 channel Trailing Edge Dimmer Controller with a maximum load per channel of 10 A.

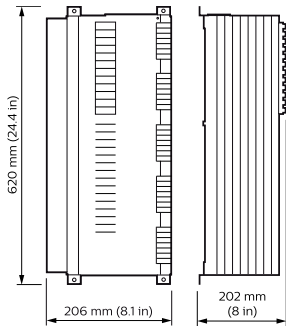
The Philips Dynalite DTE1210 trailing-edge dimmer controller features 12 channels, with a maximum load per channel of 10 A and a total box load of 120 A. The trailing-edge output makes the device suitable for control of both trailing- and leading-edge electronic transformers, as well as incandescent lamps and track lighting. Operates from a three-phase supply. Voltage regulation and soft start technologies. Naturally ventilated. Interface to other devices. Internal controls. Options available.

### Product data

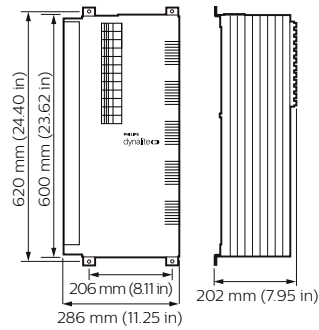
General Information		Order product name	DTE1210
CE mark	CE mark	EAN/UPC – product	8710163505862
Remarks	Please download the Lighting - Product Data Sheet for more information and ordering options	Order code	913703022009
Application Conditions		Numerator – quantity per pack	1
Ambient temperature range	0 to +40 °C	Numerator – packs per outer box	1
Product Data		Material no. (12NC)	913703022009
Full product code	871016350586200	Net weight (piece)	16.000 kg

# Dynalite Leading Edge Dimmers

## Dimensional drawing



Dynalite Trailing Edge Dimmers



Dynalite Trailing Edge Dimmers

