



# Dynalite Signal Dimmer Controllers

## DMBC110

Signal Dimmer & Relay Controller (luminaire based)

Signal Dimmer & Relay Controller (luminaire based)

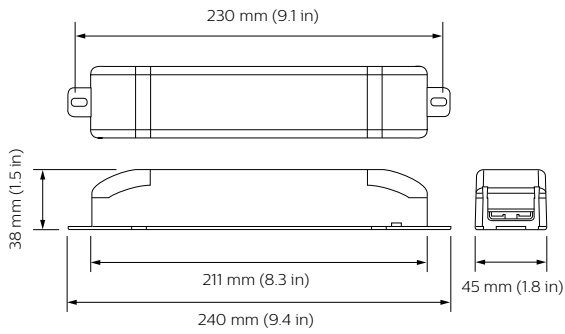
### Product data

General Information	
CE mark	CE mark
Remarks	Please download the Lighting - Product Data Sheet for more information and ordering options
EU RoHS compliant	Yes
Application Conditions	
Ambient temperature range	0 to +50 °C
Product Data	
Full product code	871016350636400

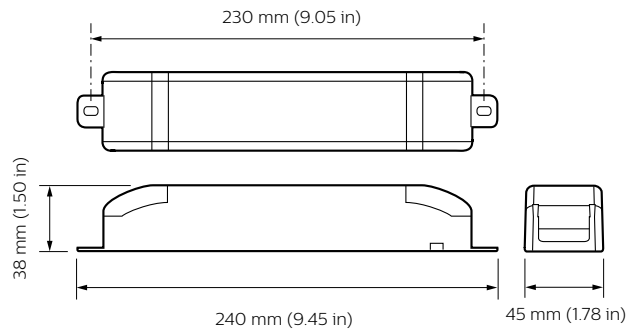
Order product name	DMBC110
EAN/UPC - Product	8710163506364
Order code	913703030009
Numerator - Quantity Per Pack	1
Numerator - Packs per outer box	1
Material Nr. (12NC)	913703030009
Net Weight (Piece)	0.700 kg

# Dynalite Signal Dimmer Controllers

## Dimensional drawing



Dynalite Signal Dimmer Controllers



Dynalite Signal Dimmer Controllers

